

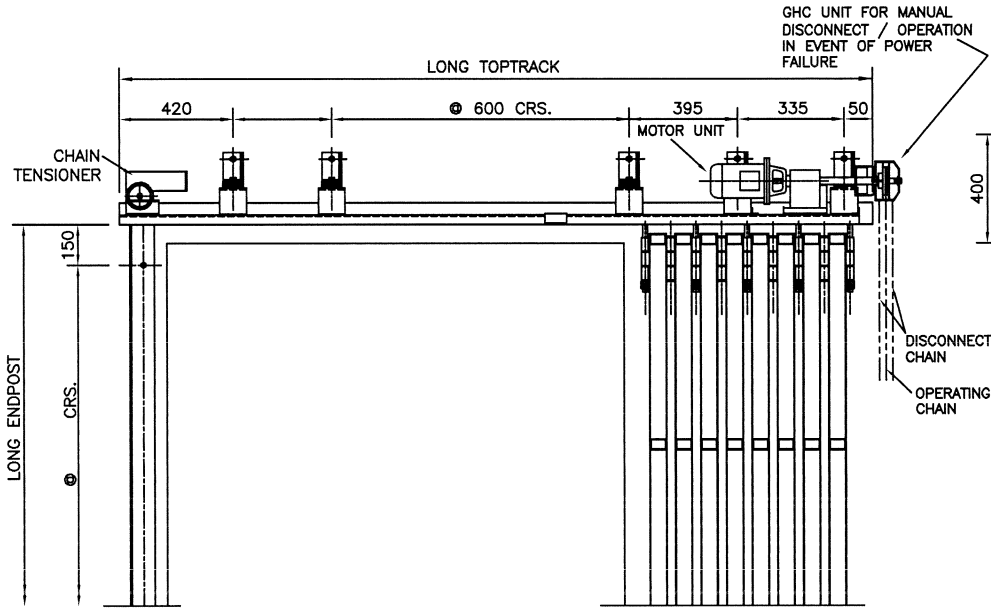
NOTES

SPECIFICATION:-

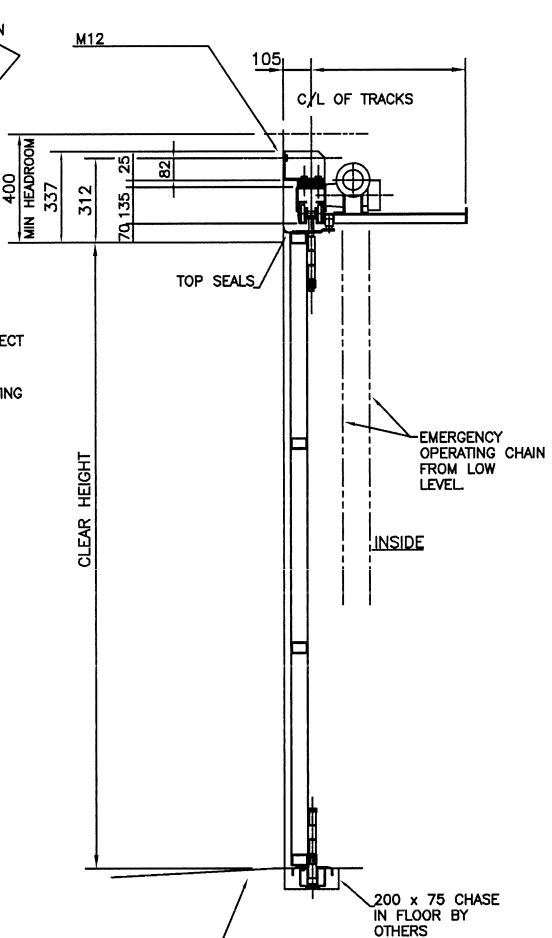
- DOOR PANELS:- 55kg / SQ METRE
- TOPTRACK:- GALV. ROLLED STEEL 30 Kg / METRE
- BOTTOM TRACK:- GALV. STEEL
- HANDLES:- BOW TYPE ON INSIDE ONLY
- ELECTRICAL DETAILS:- MOTOR TO SUIT 415V 3PH & NEUTRAL 50Hz. SUPPLY. ISOLATOR TO BE PROVIDED WITHIN 1 MTR. OF THE MOTOR BY OTHERS. MOTOR FULL LOAD CURRENT = 2 AMPS. (APPROX.)

OTHER DETAILS:-

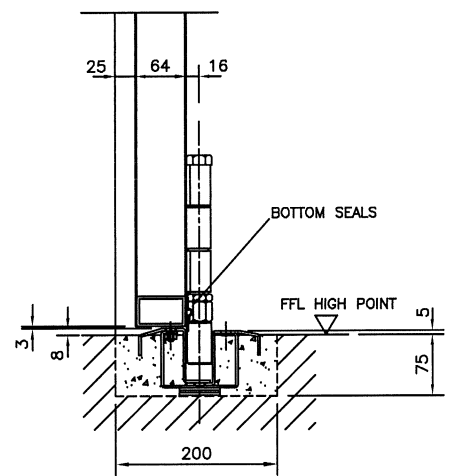
- CLIENT TO ENSURE FLOOR IS LEVEL IN VICINITY OF DOOR BUNCH.
- IT IS THE CLIENTS RESPONSIBILITY TO ENSURE THE STRUCTURE IS CAPABLE OF ACCEPTING THE FIXINGS SHOWN AND SUPPORTING THE DOOR / PRODUCT WEIGHT WHILST AT REST AND DURING OPERATION.
- APPROX. DOOR WEIGHT = kg.



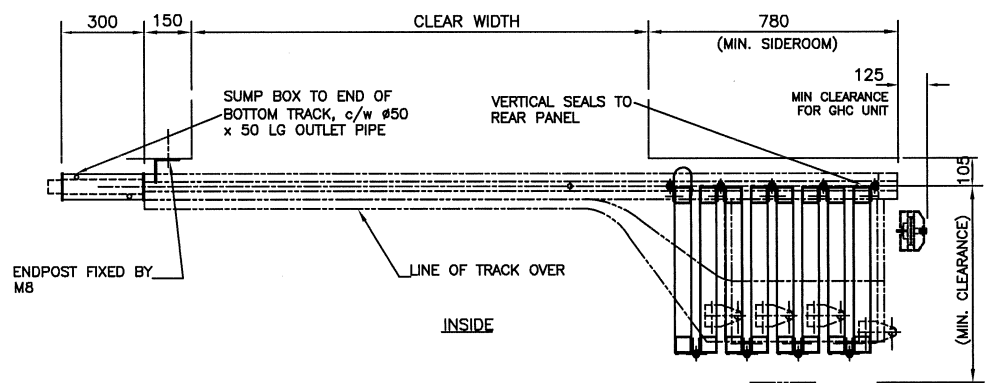
ELEVATION ON TOPTRACK FROM INSIDE
(DOOR IN OPEN POSITION)



SECTION THRO'
(DOOR IN CLOSED POSITION)



ENLARGED THRESHOLD DETAIL



SECTIONAL PLAN
(DOOR IN OPEN POSITION)

No DOORS AS DRAWN
B.G. DOOR REF. No(s):-
DOOR FINISH:-

BOLTON GATE Co
Bolton Gate Co. Limited
Waterloo Street
Bolton. BL1 2SP
Telephone: 01204 871000
Facsimile: 01204 871049

TITLE	ARRANGEMENT FOR SINGLE (RH) ELECTRICALLY OPERATED THERMAFOLD DOORS (8 PANELS)	C		F	DRAWN:	WORKS ORDER No
SITE		B		E	DATE:	
		A		D	CHECKED:	DRAWING NUMBER
DATE	REVISION	REF	DATE	REF	SCALE:	