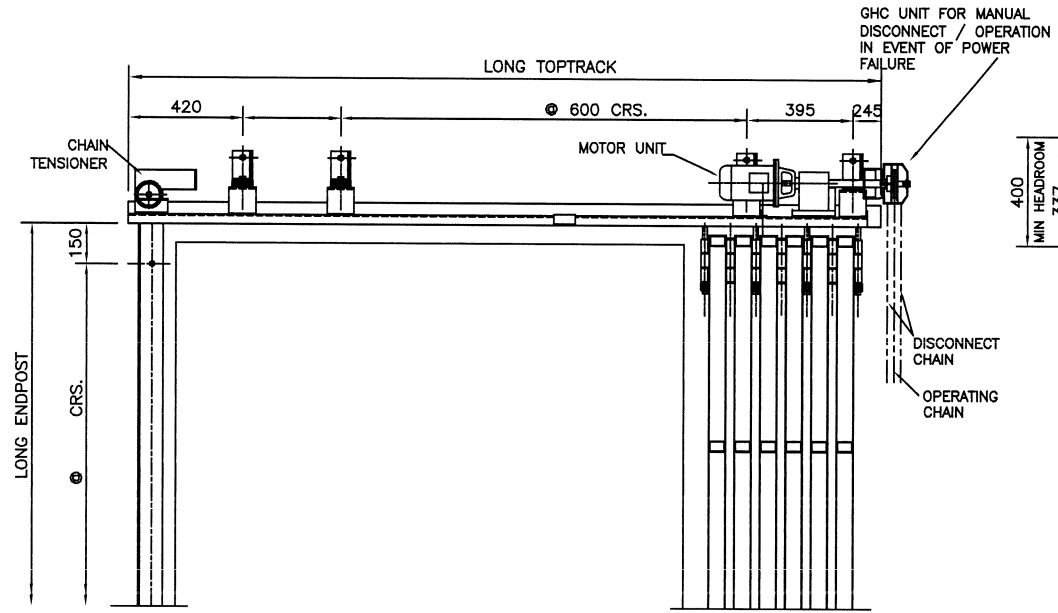


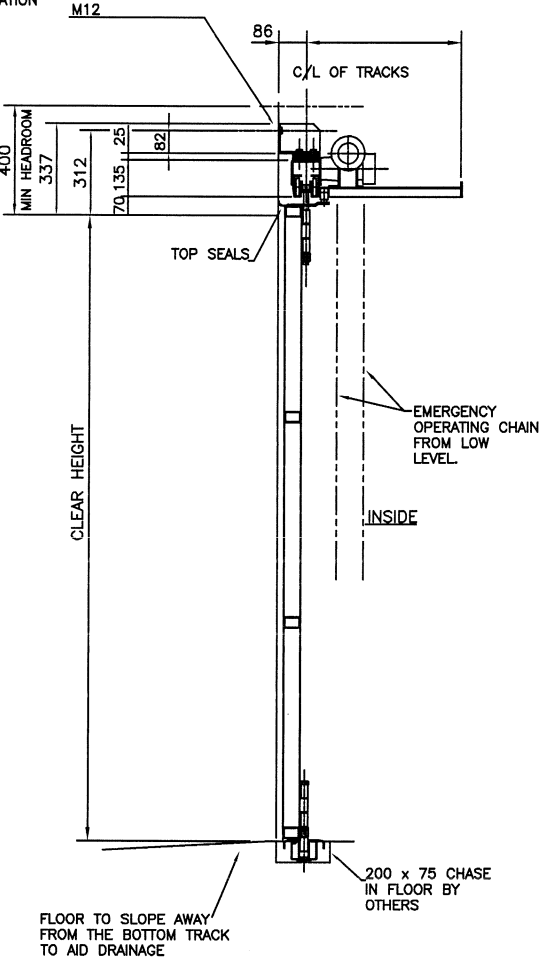
**NOTES**

**SPECIFICATION:-**  
 DOOR PANELS:- 55kg / SQ METRE  
 TOPTRACK:- GALV. ROLLED STEEL 30 Kg / METRE  
 BOTTOM TRACK:- GALV. STEEL  
 HANDLES:- BOW TYPE ON INSIDE ONLY  
 ELECTRICAL DETAILS:- MOTOR TO SUIT 415V 3PH & NEUTRAL 50Hz. SUPPLY. ISOLATOR TO BE PROVIDED WITHIN 1 MTR. OF THE MOTOR BY OTHERS.  
 MOTOR FULL LOAD CURRENT = 2 AMPS. (APPROX.)

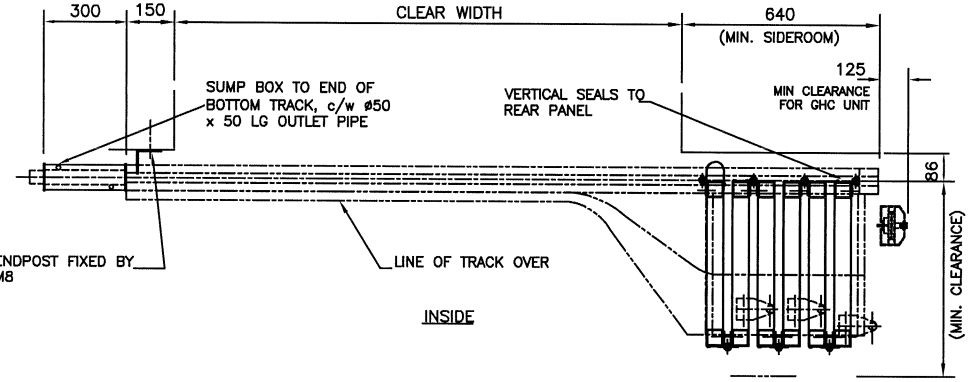
**OTHER DETAILS:-**  
 CLIENT TO ENSURE FLOOR IS LEVEL IN VICINITY OF DOOR BUNCH.  
 IT IS THE CLIENTS RESPONSIBILITY TO ENSURE THE STRUCTURE IS CAPABLE OF ACCEPTING THE FIXINGS SHOWN AND SUPPORTING THE DOOR / PRODUCT WEIGHT WHILST AT REST AND DURING OPERATION.  
 APPROX. DOOR WEIGHT =                      kg.



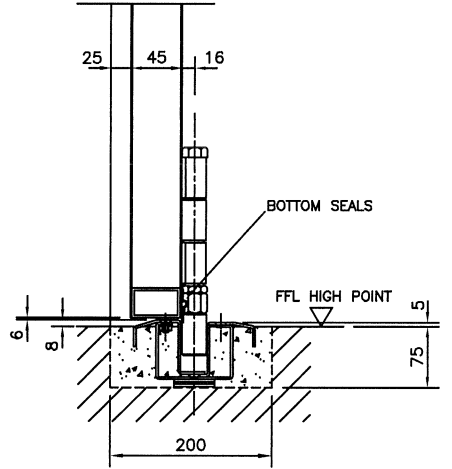
**ELEVATION ON TOPTRACK FROM INSIDE**  
(DOOR IN OPEN POSITION)



**SECTION THRO'**  
(DOOR IN CLOSED POSITION)



**SECTIONAL PLAN**  
(DOOR IN OPEN POSITION)



**ENLARGED THRESHOLD DETAIL**

No DOORS AS DRAWN  
 B.G. DOOR REF. No(s):-  
 DOOR FINISH:-

**BOLTON GATE Co**  
 Bolton Gate Co. Limited  
 Waterloo Street  
 Bolton. BL1 2SP  
 Telephone: 01204 871000  
 Facsimile: 01204 871049

TITLE	ARRANGEMENT FOR SINGLE (RH) ELECTRICALLY OPERATED THERMAFOLD 2000 DOORS (6 PANELS)	C		F	DRAWN:	WORKS ORDER No
SITE		B		E	DATE:	
DATE	REVISION	A		D	CHECKED:	DRAWING NUMBER
		REF	DATE	REF	SCALE:	