

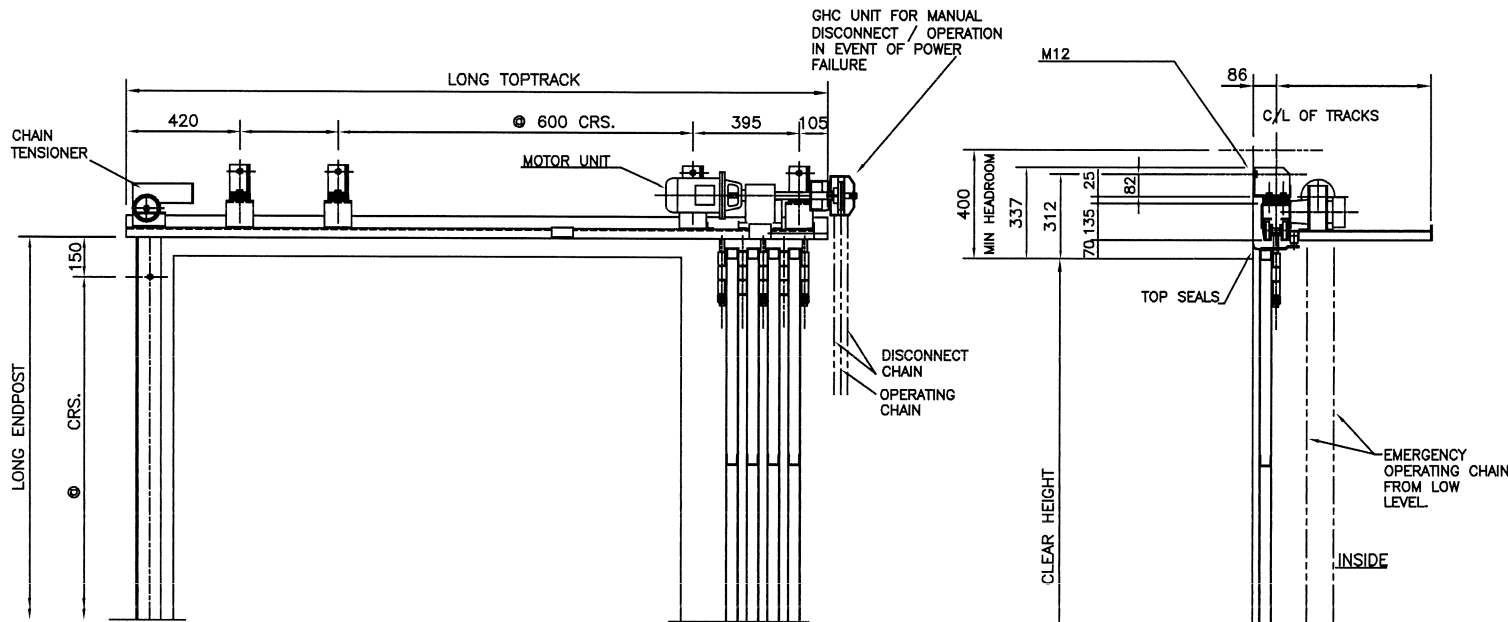
NOTES

SPECIFICATION:-

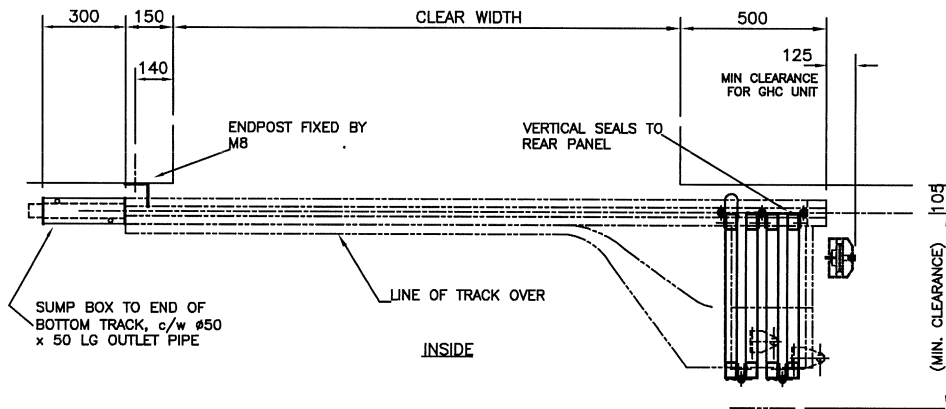
- DOOR PANELS:- 45kg / SQ METRE
- TOPTRACK:- GALV. ROLLED STEEL 30 Kg / METRE
- BOTTOM TRACK:- GALV. STEEL c/w SUMP BOX
- HANDLES:- BOW TYPE ON INSIDE ONLY
- ELECTRICAL DETAILS:- MOTOR TO SUIT 415V 3PH & NEUTRAL 50Hz. SUPPLY. ISOLATOR TO BE PROVIDED WITHIN 1 MTR. OF THE MOTOR BY OTHERS.
- MOTOR FULL LOAD CURRENT = 2 AMPS. (APPROX.)

OTHER DETAILS:-

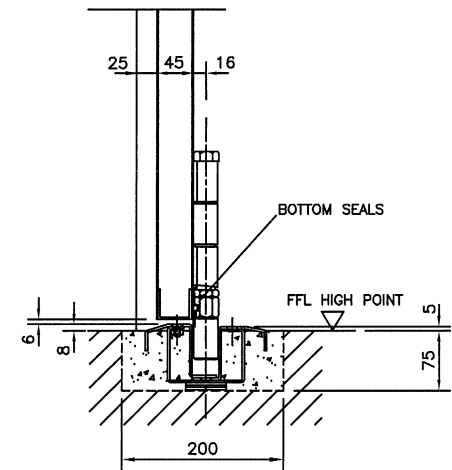
- CLIENT TO ENSURE FLOOR IS LEVEL IN VICINTY OF DOOR BUNCH.
- IT IS THE CLIENTS RESPONSIBILITY TO ENSURE THE STRUCTURE IS CAPABLE OF ACCEPTING THE FIXINGS SHOWN AND SUPPORTING THE DOOR / PRODUCT WEIGHT WHILST AT REST AND DURING OPERATION.
- APPROX. DOOR WEIGHT = kg.



ELEVATION ON TOPTRACK FROM INSIDE
(DOOR IN OPEN POSITION)

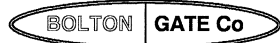


SECTIONAL PLAN
(DOOR IN OPEN POSITION)



ENLARGED THRESHOLD DETAIL

No DOORS AS DRAWN
B.G. DOOR REF. No(s):-
DOOR FINISH:-



Bolton Gate Co. Limited
Waterloo Street
Bolton. BL1 2SP
Telephone: 01204 871000
Facsimile: 01204 871049
E-mail: projects.bg@dial.pipex.com

TITLE	ARRANGEMENT FOR SINGLE (LH) ELECTRICALLY OPERATED THERMAFOLD 2000 DOORS (4 PANELS)	C		F	DRAWN:	WORKS ORDER No
SITE		B		E	DATE:	
DATE	REVISION	A		D	CHECKED:	DRAWING NUMBER
		REF	DATE	REF	SCALE:	