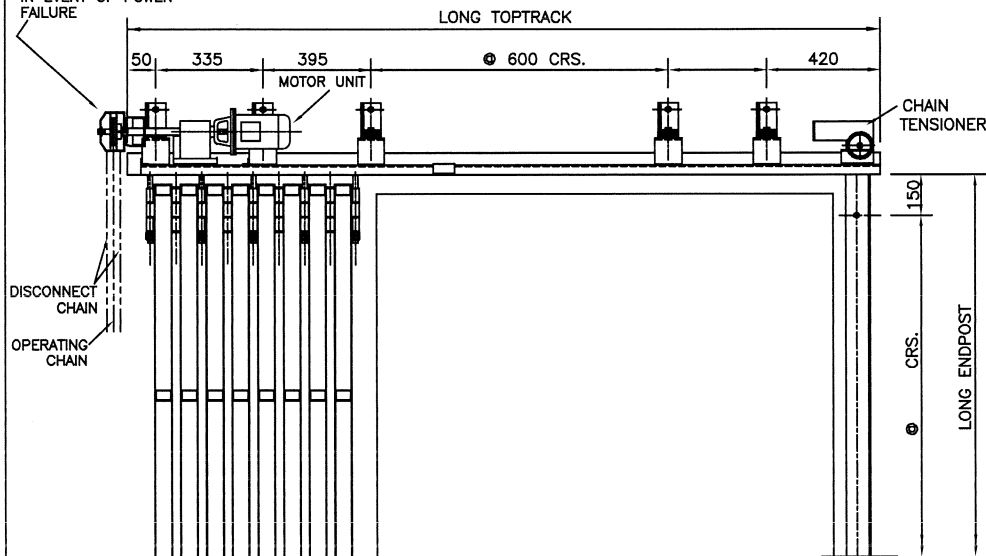
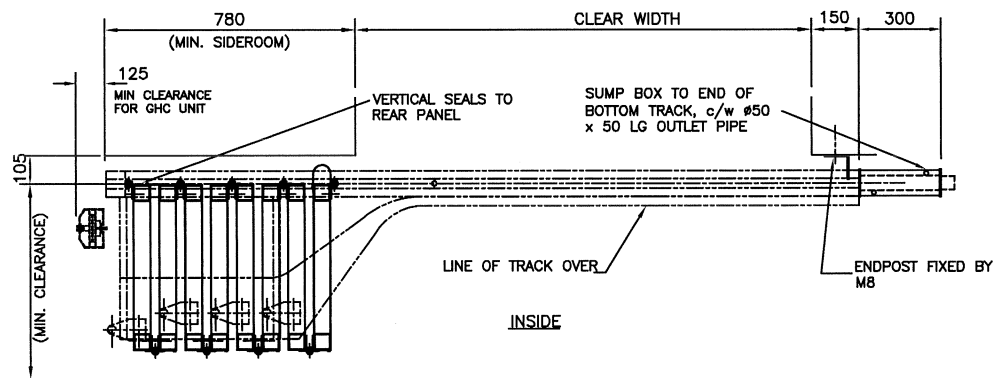


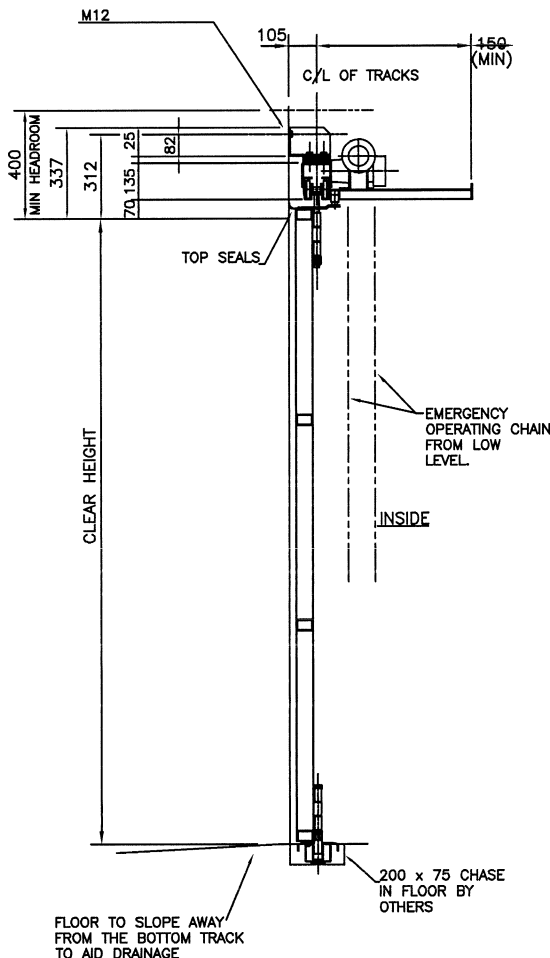
GHC UNIT FOR MANUAL DISCONNECT / OPERATION IN EVENT OF POWER FAILURE



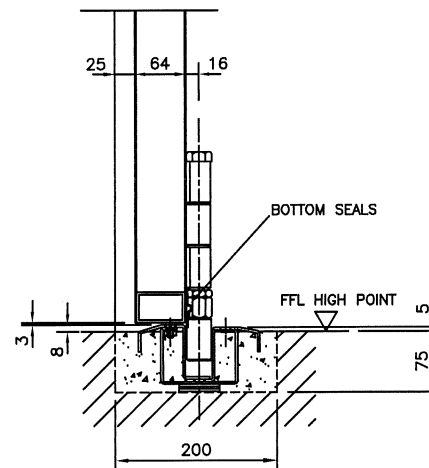
**ELEVATION ON TOPTRACK FROM INSIDE**  
(DOOR IN OPEN POSITION)



**SECTIONAL PLAN**  
(DOOR IN OPEN POSITION)



**SECTION THRO'**  
(DOOR IN CLOSED POSITION)



**ENLARGED THRESHOLD DETAIL**

**SPECIFICATION:-**

- DOOR PANELS:- 55kg / SQ METRE
- TOPTRACK:- GALV. ROLLED STEEL 30 Kg / METRE
- BOTTOM TRACK:- GALV. STEEL
- HANDLES:- BOW TYPE ON INSIDE ONLY
- ELECTRICAL DETAILS:- MOTOR TO SUIT 415V 3PH & NEUTRAL 50Hz. SUPPLY. ISOLATOR TO BE PROVIDED WITHIN 1 MTR. OF THE MOTOR BY OTHERS. MOTOR FULL LOAD CURRENT = 2 AMPS. (APPROX.)

**OTHER DETAILS:-**

- CLIENT TO ENSURE FLOOR IS LEVEL IN VICINITY OF DOOR BUNCH.
- IT IS THE CLIENTS RESPONSIBILITY TO ENSURE THE STRUCTURE IS CAPABLE OF ACCEPTING THE FIXINGS SHOWN AND SUPPORTING THE DOOR / PRODUCT WEIGHT WHILST AT REST AND DURING OPERATION.
- APPROX. DOOR WEIGHT =                      kg.

No DOORS AS DRAWN

B.G. DOOR REF. No(s):-

DOOR FINISH:-



Bolton Gate Co. Limited  
Waterloo Street  
Bolton. BL1 2SP  
Telephone: 01204 871000  
Facsimile: 01204 871049

TITLE **ARRANGEMENT FOR SINGLE (LH) ELECTRICALLY OPERATED THERMAFOLD DOORS (8 PANELS)**

SITE

				C			F	DRAWN:	WORKS ORDER No
				B			E	DATE:	
				A			D	CHECKED:	DRAWING NUMBER
DATE	REVISION	REF	DATE	REVISION	REF	SCALE:			