

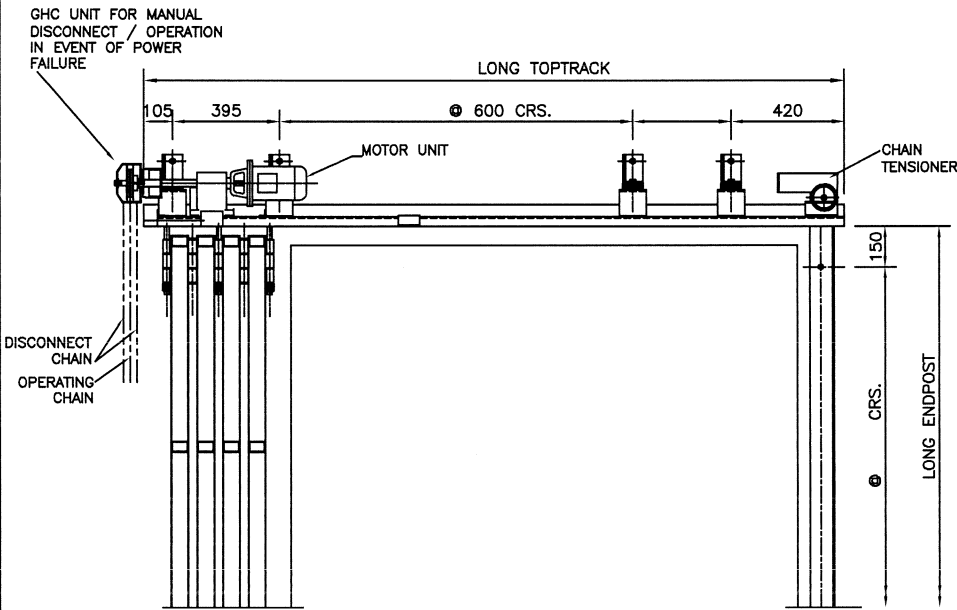
**NOTES**

SPECIFICATION:-

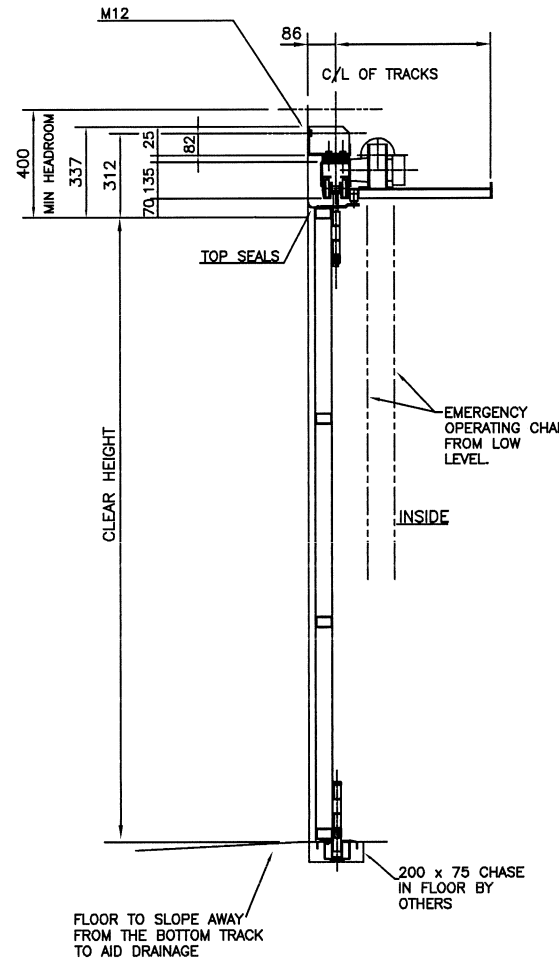
- DOOR PANELS:- 55kg / SQ METRE
- TOPTRACK:- GALV. ROLLED STEEL 30 Kg / METRE
- BOTTOM TRACK:- GALV. STEEL c/w SUMP BOX
- HANDLES:- BOW TYPE ON INSIDE ONLY
- ELECTRICAL DETAILS:- MOTOR TO SUIT 415V 3PH & NEUTRAL 50Hz. SUPPLY. ISOLATOR TO BE PROVIDED WITHIN 1 MTR. OF THE MOTOR BY OTHERS. MOTOR FULL LOAD CURRENT = 2 AMPS. (APPROX.)

OTHER DETAILS:-

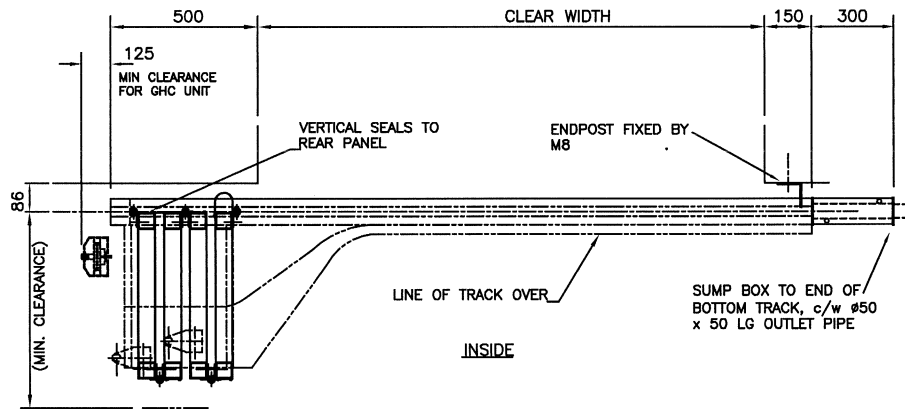
- CLIENT TO ENSURE FLOOR IS LEVEL IN VICINITY OF DOOR BUNCH.
- IT IS THE CLIENTS RESPONSIBILITY TO ENSURE THE STRUCTURE IS CAPABLE OF ACCEPTING THE FIXINGS SHOWN AND SUPPORTING THE DOOR / PRODUCT WEIGHT WHILST AT REST AND DURING OPERATION.
- APPROX. DOOR WEIGHT =                      kg.



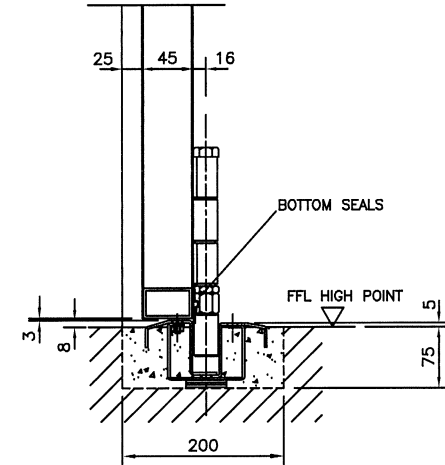
**ELEVATION ON TOPTRACK FROM INSIDE**  
(DOOR IN OPEN POSITION)



**SECTION THRO'**  
(DOOR IN CLOSED POSITION)

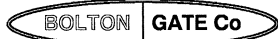


**SECTIONAL PLAN**  
(DOOR IN OPEN POSITION)



**ENLARGED THRESHOLD DETAIL**

No DOORS AS DRAWN  
B.G. DOOR REF. No(s):-  
DOOR FINISH:-



Bolton Gate Co. Limited  
Waterloo Street  
Bolton, BL1 2SP  
Telephone: 01204 871000  
Facsimile: 01204 871049  
E-mail: projects.bg@dial.pipex.com

TITLE **ARRANGEMENT FOR SINGLE (LH) ELECTRICALLY OPERATED THERMAFOLD 2000 DOORS (4 PANELS)**

SITE

		C		F	DRAWN:	WORKS ORDER No
		B		E	DATE:	
		A		D	CHECKED:	DRAWING NUMBER
DATE	REVISION	REF	DATE	REF	SCALE:	