

NOTES

SPECIFICATION:-

DOOR PANELS:- 55kg / SQ METRE

TOPTRACK:- GALV. ROLLED STEEL 30 Kg / METRE

BOTTOM TRACK:- GALV. STEEL

HANDLES:- BOW TYPE ON INSIDE ONLY

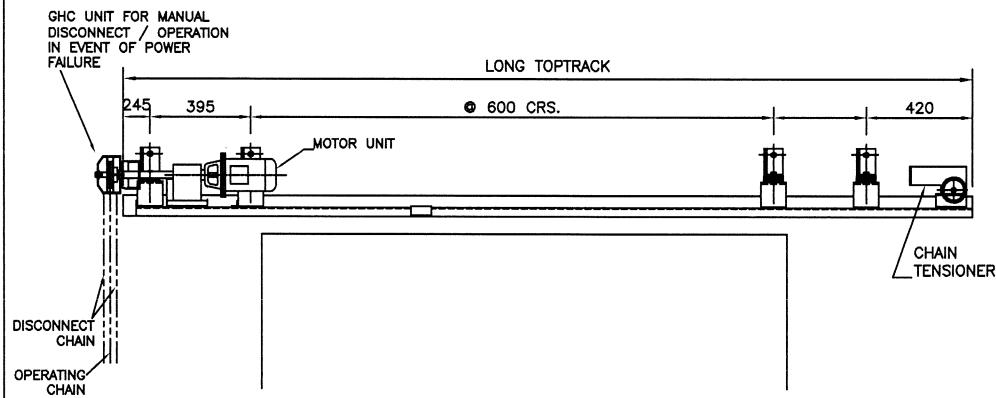
ELECTRICAL DETAILS:- MOTOR TO SUIT 415V 3PH & NEUTRAL 50Hz. SUPPLY. ISOLATOR TO BE PROVIDED WITHIN 1 MTR. OF THE MOTOR BY OTHERS. MOTOR FULL LOAD CURRENT = 2 AMPS. (APPROX.)

OTHER DETAILS:-

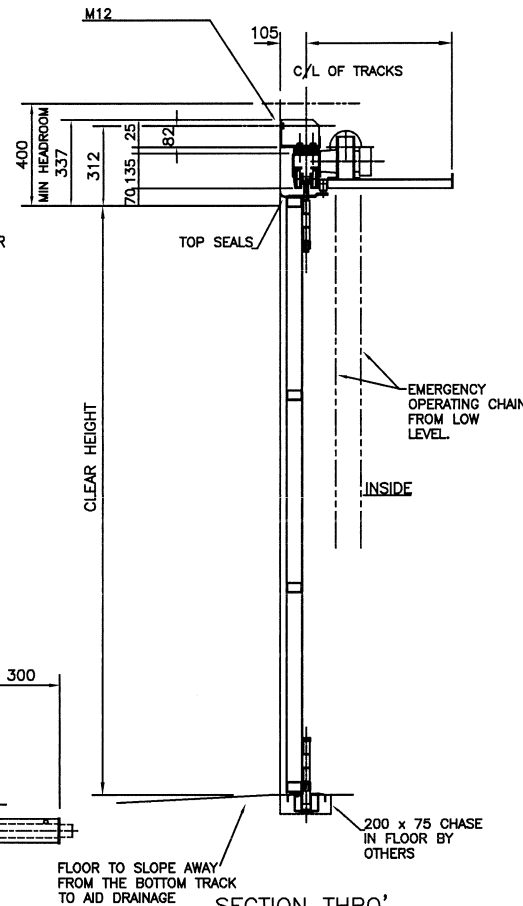
CLIENT TO ENSURE FLOOR IS LEVEL IN VICINITY OF DOOR BUNCH.

IT IS THE CLIENTS RESPONSIBILITY TO ENSURE THE STRUCTURE IS CAPABLE OF ACCEPTING THE FIXINGS SHOWN AND SUPPORTING THE DOOR / PRODUCT WEIGHT WHILST AT REST AND DURING OPERATION.

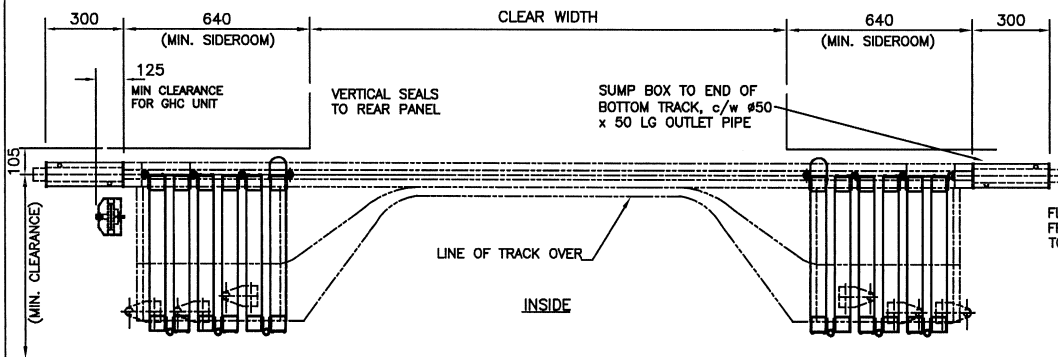
APPROX. DOOR WEIGHT = kg.



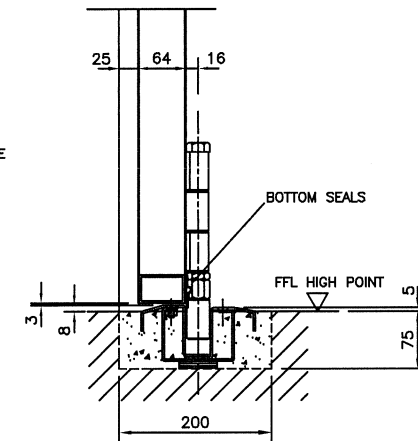
ELEVATION ON TOPTRACK FROM INSIDE
(DOOR PANELS OMITTED)



SECTION THRO'



INSIDE



ENLARGED THRESHOLD DETAIL

No PAIR(S) OF DOORS AS DRAWN

B.G. DOOR REF. No(s):-

DOOR FINISH:-

<p>Bolton Gate Co. Limited Waterloo Street Bolton. BL1 2SP Telephone: 01204 871000 Facsimile: 01204 871049</p>	TITLE	ARRANGEMENT OF No PAIR(S) OF ELEG OP THERMAFOLD 2000 DOORS (6 PANELS PER HALF)	C		F	DRAWN:	WORKS ORDER No
	SITE		B		E	DATE:	
	DATE	REVISION	A		D	CHECKED:	DRAWING NUMBER
			REF	DATE	REF	SCALE: 1:20	