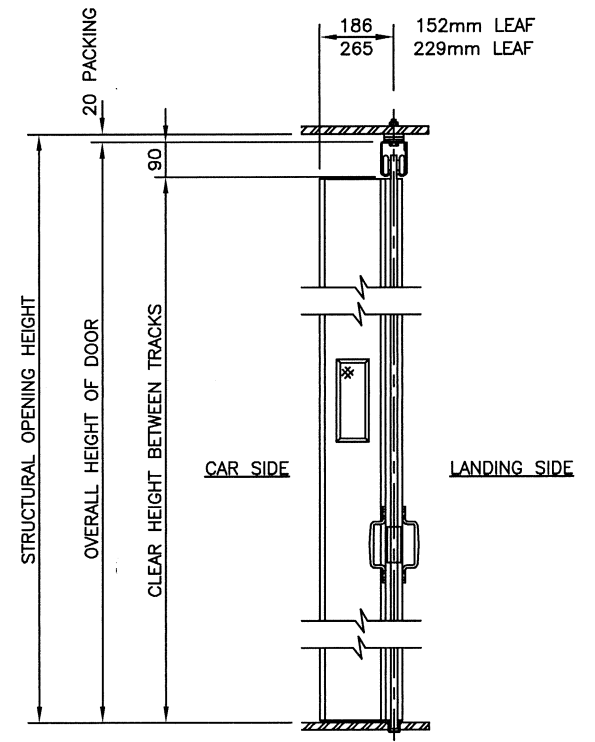
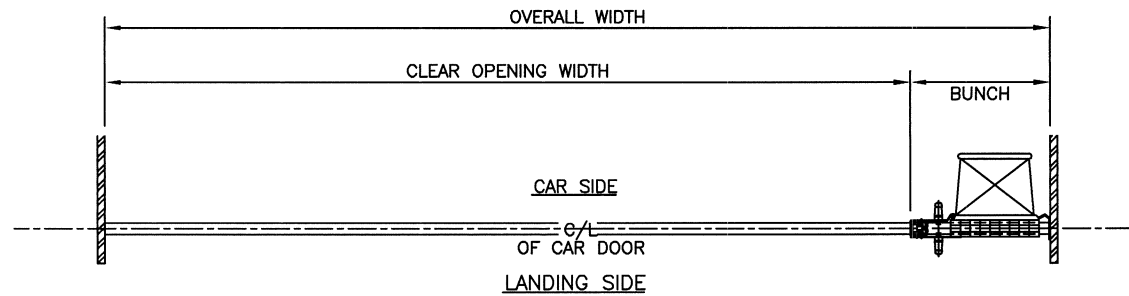


ELEVATION FROM LANDING SIDE

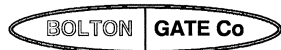


SECTION



SECTIONAL PLAN

SPECIFICATION	
LEFT HAND DOOR	
127mm FABRICATED SHUTTER FRONT	
PAIRS OF 152mm / 229mm WIDE LEAVES	
VISION PANEL IN FIRST LEAF	
BOW HANDLES TO BOTH SIDES OF DOOR	
MALLEABLE IRON MATTHEWS CATCH	
90mm TOP TRACK	
CHANNEL BOTTOM TRACK	
STANDARD GALVANISED FINISH	



Bolton Gate Co. Limited  
 Waterloo Street  
 Bolton. BL1 2SP  
 Telephone: 01204 871002  
 Facsimile: 01204 871049

CLIENT

SITE NAME

TITLE

GENERAL ARRANGEMENT FOR NON FIRE  
 RESISTING SUPERIOR LIFT CAR DOOR

DOOR REFERENCE NUMBER

REVISION	C	DRAWN:	WORKS ORDER No
A	CHECKED:		
REF	SCALE: N.T.S.		