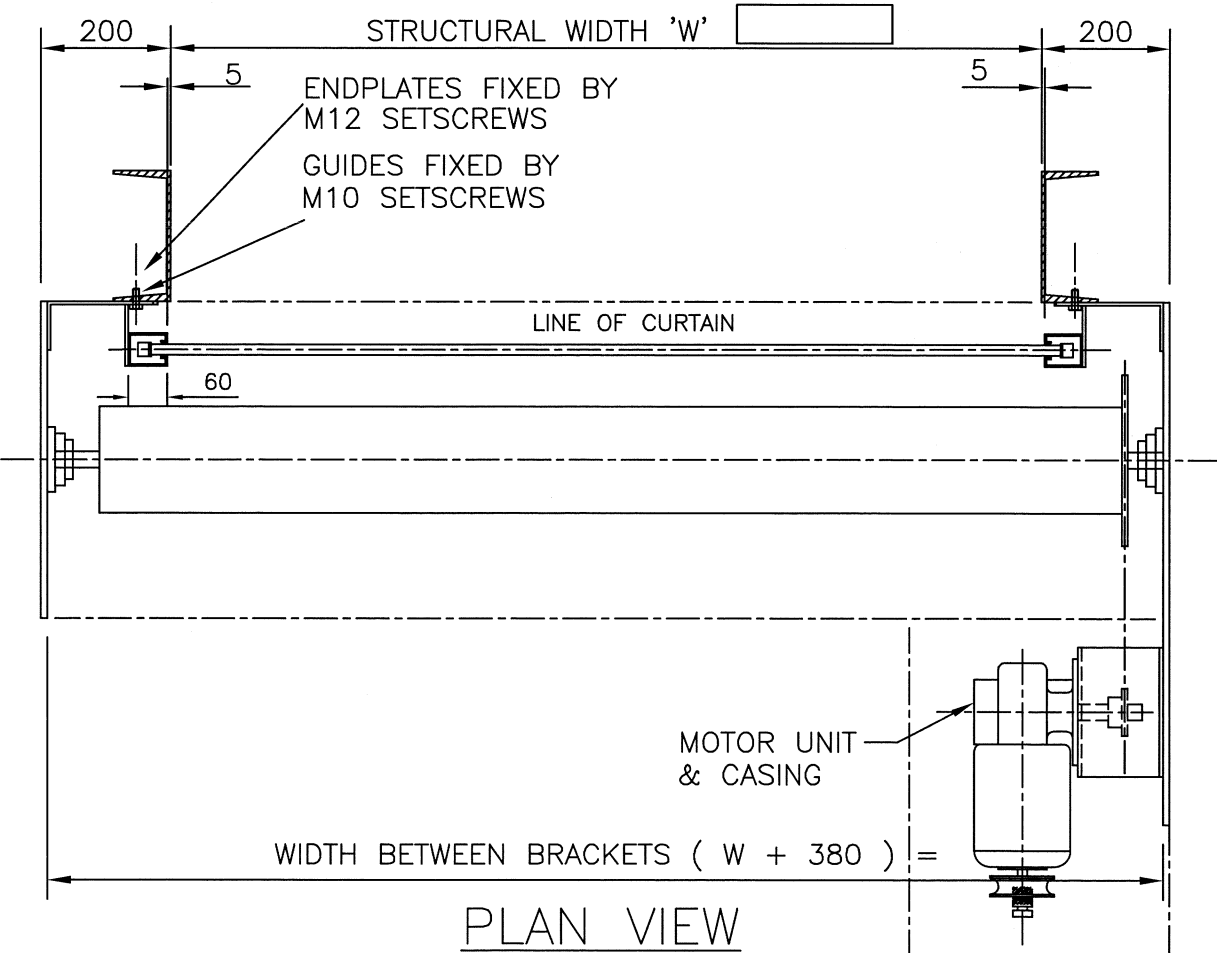
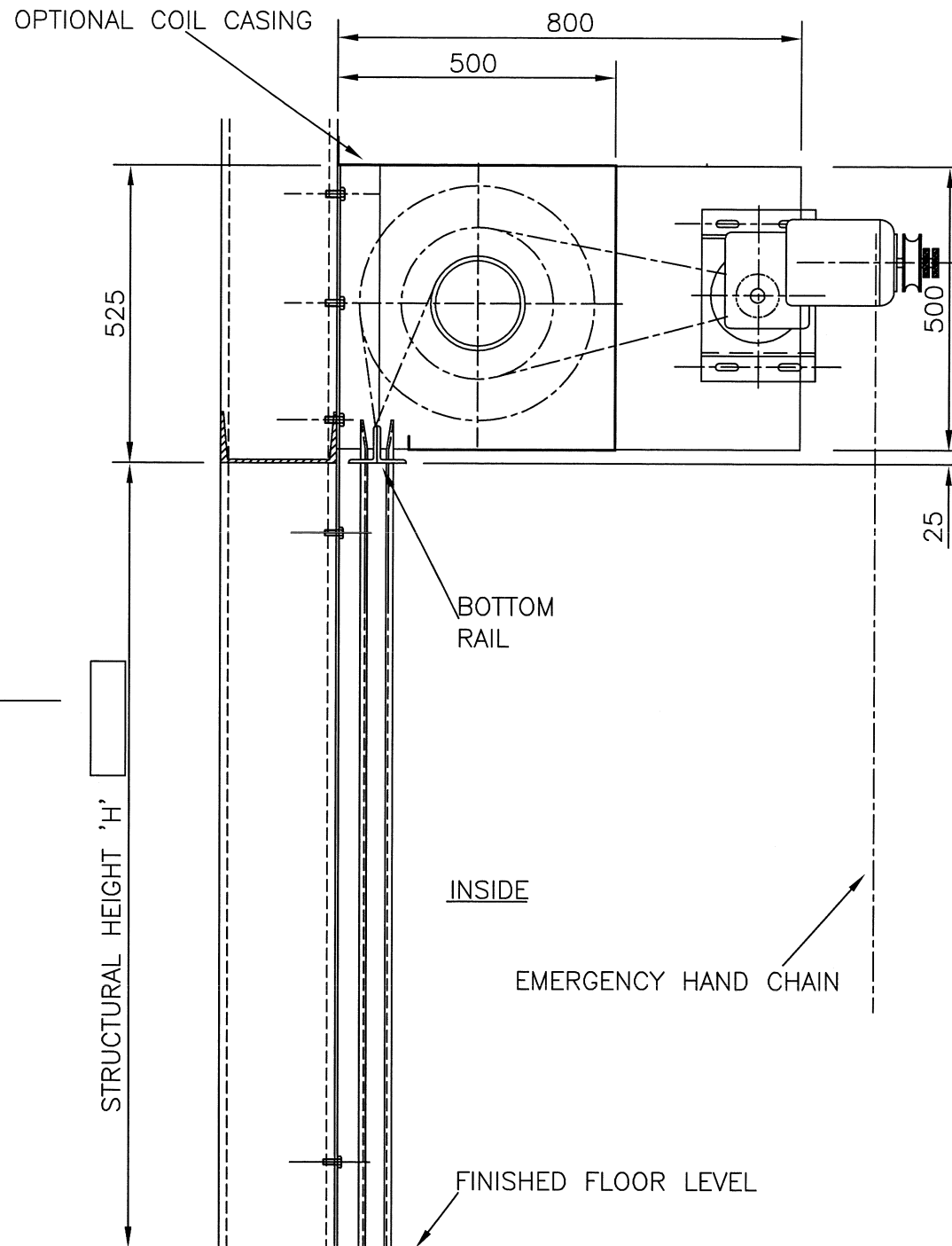


ELEVATION
(MOTOR NOT SHOWN)



PLAN VIEW



SECTION

NOTES

1. IT IS THE CLIENTS RESPONSIBILITY TO ENSURE THE STRUCTURE IS CAPABLE OF ACCEPTING THE FIXINGS SHOWN AND SUPPORTING THE DOOR / PRODUCT WEIGHT WHILST AT REST AND DURING OPERATION.

APPROX. DOOR WEIGHT = _____ kg.

2. BOLTON GATE CO. LTD. RECOMMEND THAT FULL ACCESS TO THE SHUTTER BOX BE PROVIDED ACROSS THE OPENING FOR MAINTENANCE/REPLACEMENT PURPOSES. IF FULL ACCESS IS NOT PROVIDED BOLTON GATE CO LTD WILL NOT ACCEPT ANY CHARGES ASSOCIATED WITH THE GAINING OF ACCESS TO FACILITATE THE MAINTENANCE OR REPLACEMENT OF ANY GRILLE COMPONENTS.

3. ELECTRICAL EQUIPMENT TO SUIT A 415 VOLT 3 PHASE SUPPLY ISOLATOR TO BE PROVIDED WITHIN 1 MTR. OF THE MOTOR BY OTHERS

4. WALL MOUNTED INTERNAL PB STARTER INCORPORATING OPEN, STOP, CLOSE PUSH BUTTONS

5. 500 x 85 PARALLEL MESH

6. GALV PS COIL CASING & MOTOR CASING (IF REQUIRED)

DOOR REF No. : _____

OFF AS SHOWN.

FINISH :-



Bolton Gate Co. Limited
Waterloo Street
Bolton. BL1 2SP
Telephone: 01204 871000
Facsimile: 01204 871049

TITLE	ARRANGEMENT FOR E.O. STEEL ROLLING GRILLE		C		F	DRAWN:	WORKS ORDER No
SITE			B		E	DATE:	
			A		D	CHECKED:	DRAWING NUMBER
DATE	REVISION	REF	DATE	REVISION	REF	SCALE:	