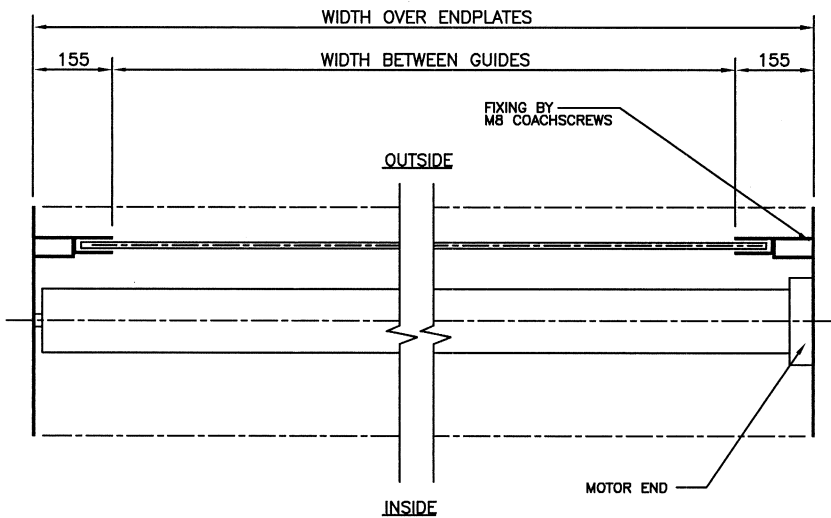
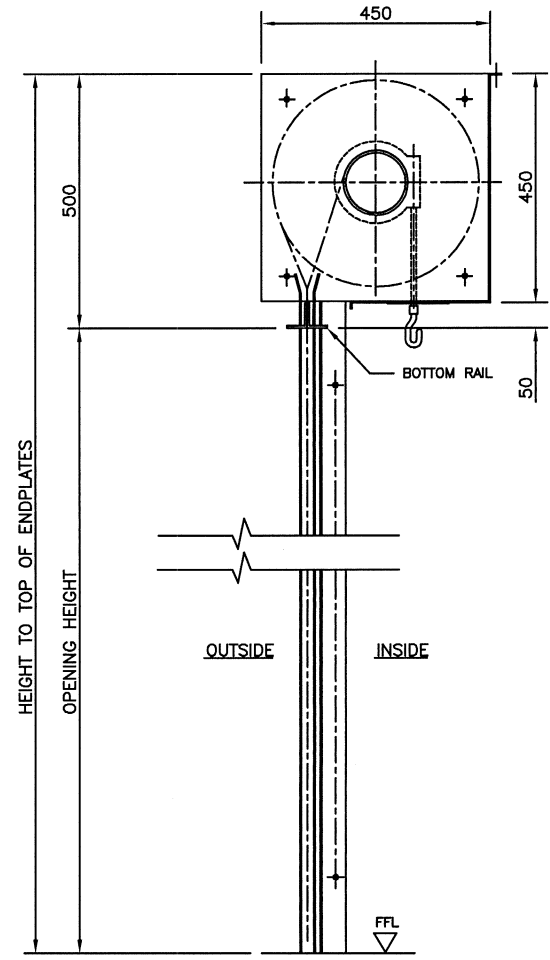


ELEVATION FROM INSIDE



SECTIONAL PLAN



SECTION

NOTES

1. IT IS THE CLIENTS RESPONSIBILITY TO ENSURE THE STRUCTURE IS CAPABLE OF ACCEPTING THE FIXINGS SHOWN AND SUPPORTING THE DOOR / PRODUCT WEIGHT WHILST AT REST AND DURING OPERATION

APPROX. DOOR WEIGHT = _____ Kg
2. WE RECOMMEND THAT SUITABLE ACCESS ACROSS THE FULL WIDTH OF THE SHUTTER BE PROVIDED FOR MAINTENANCE / REPLACEMENT PURPOSES. BOLTON GATE CO. LTD. WILL NOT ACCEPT ANY COSTS WHATSOEVER ARISING FROM A FAILURE BY ANY PARTY TO ACT UPON THIS RECOMMENDATION.
3. ELECTRICAL OPERATION BY TUBULAR MOTOR TO SUIT A 240V 1PH SUPPLY CONNECTED TO A 13 AMP SOCKET TO BE POSITIONED WITHIN 1 METRE OF THE MOTOR BY OTHERS
4. OPERATION BY INTERNAL KEYSWITCH FITTED ON RH SIDE LOOKING FROM INSIDE
5. FLAG GUIDE ASSEMBLY
6. FIT COIL CASING
7. FIT EMERGENCY HAND CRANK MECH (NOTE: IF THE DOOR IS FITTED EXTERNALLY, AN ADDITIONAL LOCKING COVER TO THE HAND CRANK WILL BE REQUIRED, AND WILL BE SUBJECT TO AN ADDITIONAL COST)
8. STANDARD GALVANIZED FINISH



Bolton Gate Co. Limited
 Waterloo Street
 Bolton. BL1 2SP
 Telephone: 01204 871000
 Facsimile: 01204 871049

TITLE		ARRANGEMENT OF No ELECTRICALLY OPERATED STEEL ROLLER SHUTTER DOOR(S) (TUBE MOTOR)		C		F	DRAWN:	WORKS ORDER No
SITE				B		E	DATE:	
DATE		REVISION		A		D	CHECKED:	DRAWING NUMBER
				REF	DATE	REF	SCALE:	
							NTS	