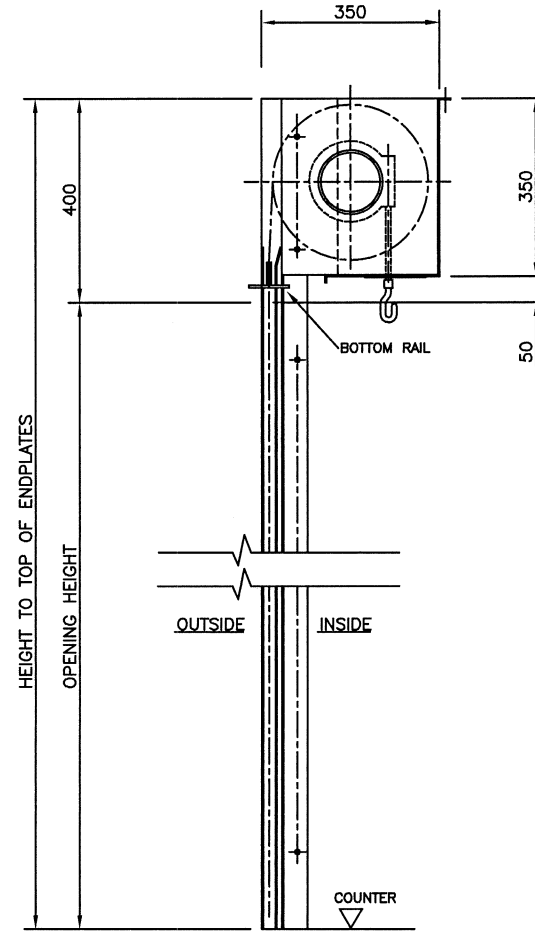
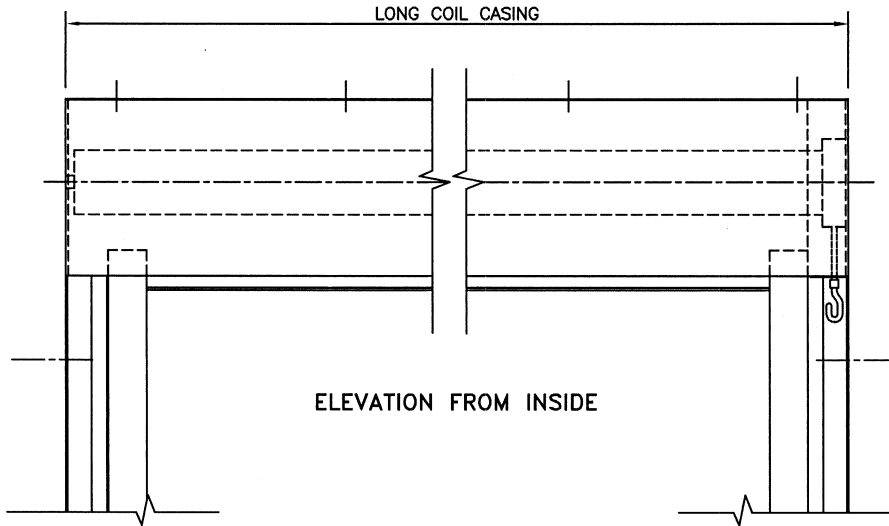


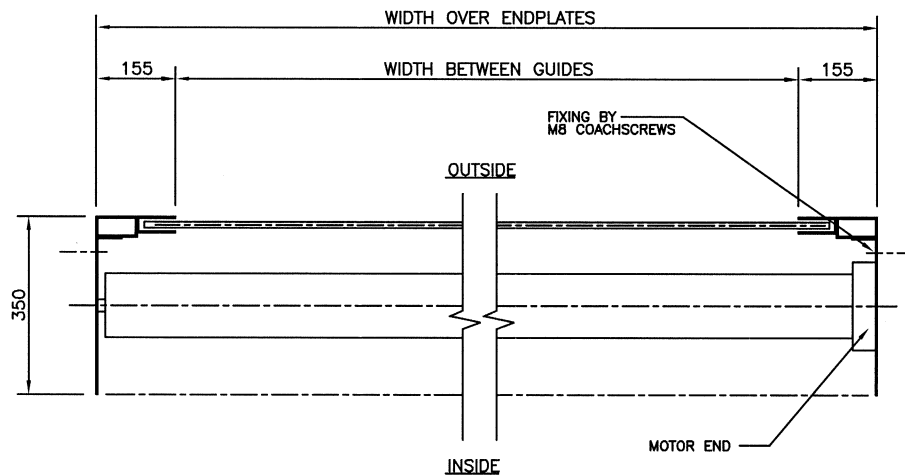
NOTES

1. IT IS THE CLIENTS RESPONSIBILITY TO ENSURE THE STRUCTURE IS CAPABLE OF ACCEPTING THE FIXINGS SHOWN AND SUPPORTING THE DOOR / PRODUCT WEIGHT WHILST AT REST AND DURING OPERATION


APPROX. DOOR WEIGHT = _____ Kg
2. WE RECOMMEND THAT SUITABLE ACCESS ACROSS THE FULL WIDTH OF THE SHUTTER BE PROVIDED FOR MAINTENANCE / REPLACEMENT PURPOSES. BOLTON GATE CO. LTD. WILL NOT ACCEPT ANY COSTS WHATSOEVER ARISING FROM A FAILURE BY ANY PARTY TO ACT UPON THIS RECOMMENDATION.
3. ELECTRICAL OPERATION BY TUBULAR MOTOR TO SUIT A 240V 1PH SUPPLY CONNECTED TO A 13 AMP SOCKET TO BE POSITIONED WITHIN 1 METRE OF THE MOTOR BY OTHERS
4. OPERATION BY INTERNAL KEYSWITCH FITTED ON RH SIDE LOOKING FROM INSIDE
5. FLAG GUIDE ASSEMBLY
6. FIT COIL CASING
7. FIT EMERGENCY HAND CRANK MECH (NOTE: IF THE DOOR IS FITTED EXTERNALLY, AN ADDITIONAL LOCKING COVER TO THE HAND CRANK WILL BE REQUIRED, AND WILL BE SUBJECT TO AN ADDITIONAL COST)
8. STANDARD GALVANIZED FINISH



SECTION



SECTIONAL PLAN

	Bolton Gate Co. Limited Waterloo Street Bolton. BL1 2SP Telephone: 01204 871000 Facsimile: 01204 871049	TITLE	ARRANGEMENT OF No ELECTRICALLY OPERATED STEEL ROLLER SHUTTER DOOR(S) (TUBE MOTOR)				C		F	DRAWN:	WORKS ORDER No
		SITE			B		E	DATE:			
		DATE	REVISION	REF	DATE	REVISION	REF	D	CHECKED:	DRAWING NUMBER	
								SCALE:			
								NTS			