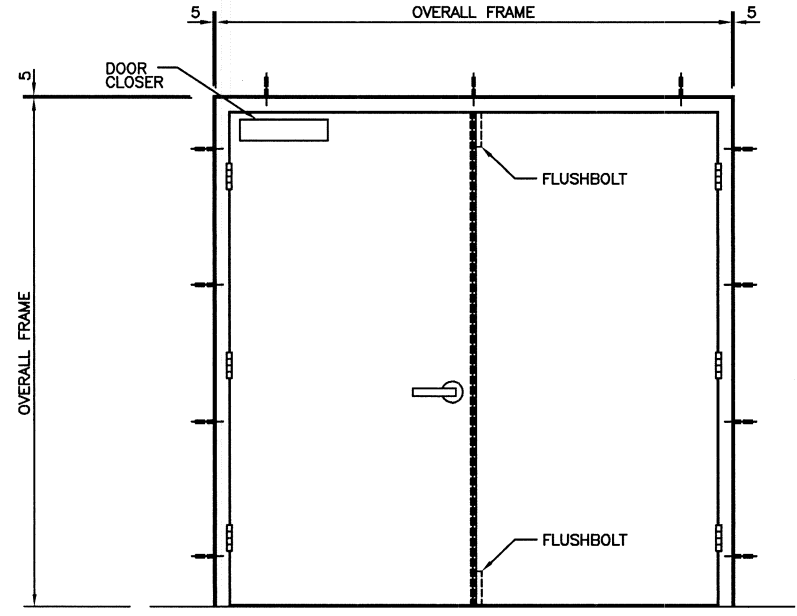
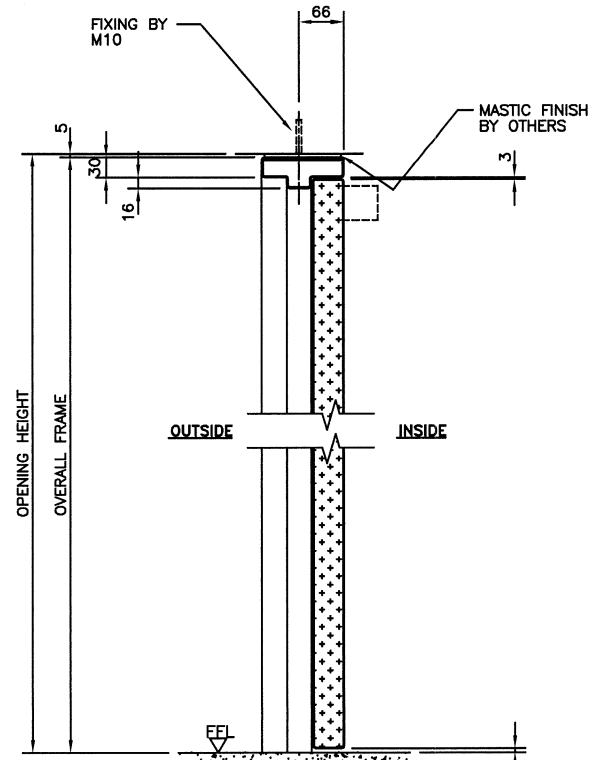


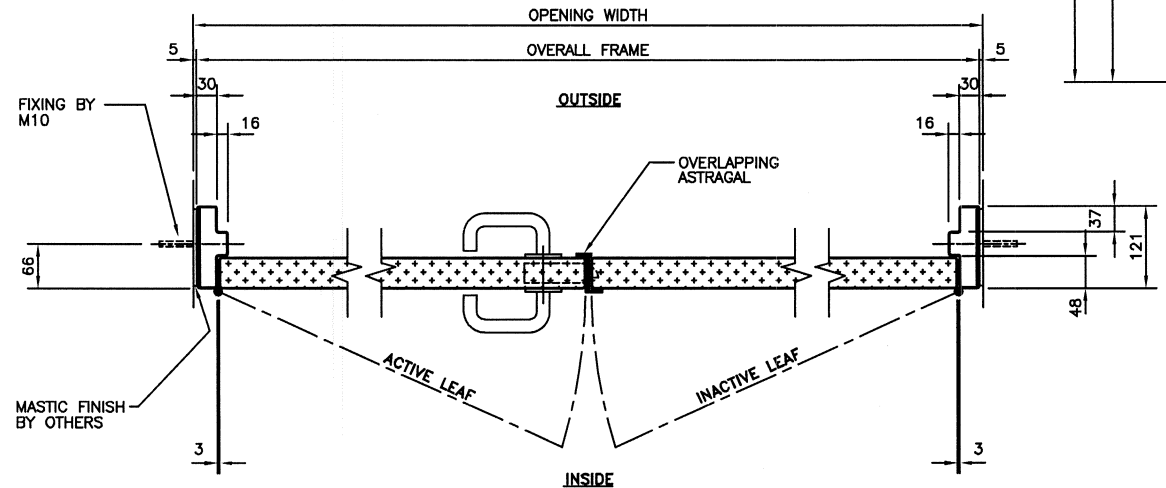
THIS DRAWING AND COPYRIGHT BELONG TO BOLTON GATE CO LTD. DO NOT COPY, REPRODUCE, LOAN OR SUPPLY INFORMATION FROM THIS DRAWING WITHOUT BOLTON GATE CO LTD AUTHORISATION c BOLTON GATE CO LTD



**ELEVATION FROM INSIDE**



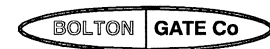
**SECTION**



**SECTIONAL PLAN**

**SPECIFICATION**

- STRUCTURAL :**  
IT IS THE CLIENTS RESPONSIBILITY TO ENSURE THAT THE STRUCTURE IS CAPABLE OF ACCEPTING THE FIXINGS SHOWN AND SUPPORTING THE DOOR/PRODUCT WEIGHT WHILST AT REST & DURING OPERATION
- FRAME :**  
1.5 THK DOUBLE PROFILE
- DOOR PANEL :**  
1.2mm THK SHEETS INFILLED WITH HONEYCOMB CORE
- HINGES :**  
1.5 PAIRS OF BUTT HINGES
- DOOR CLOSER :**  
DORMA TS83 - PUSH TO CLOSE
- LOCK :**  
STANDARD LATCH
- HANDLES :**  
LEVER TYPE
- FLUSHBOLTS :**  
2 No ON INACTIVE LEAF
- LEAF SELECTOR :**  
STANDARD
- FINISH :**
- FIRE RATING :**  
4 HOUR



Bolton Gate Co. Limited  
Waterloo Street  
Bolton. BL1 2SP  
Telephone: 01204 871000  
Facsimile: 01204 871049

TITLE ARRANGEMENT OF No PAIR OF FIRE RATED DOUBLE REBATE HINGED DOOR

SITE

								F	DRAWN:	WORKS ORDER No
								E	DATE:	
								D	CHECKED:	DRAWING NUMBER
DATE	REVISION	REF	DATE	REVISION	REF	SCALE:	MAIN 1:7.5			