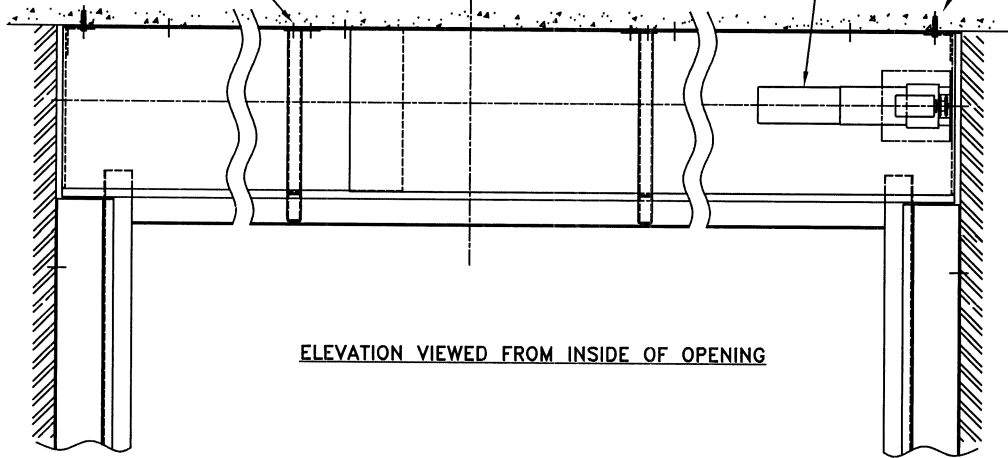


2 NO. CASING SUPPORT STRAPS
POSITIONED 500mm EITHER SIDE
OF C/LINE OF OPENING. FIXINGS
TO BE M10 EXPANSION BOLTS

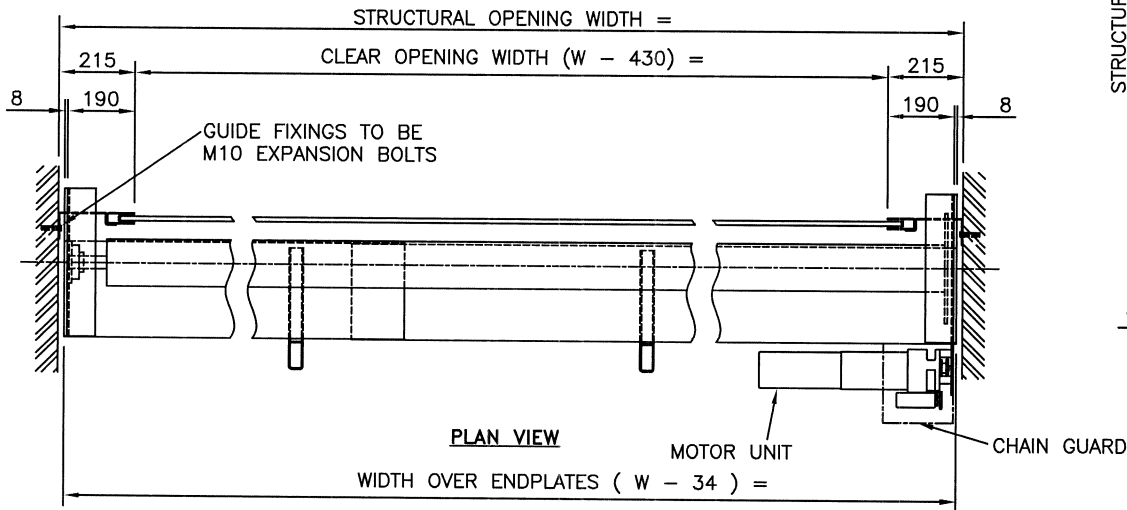
ENDPLATE FIXINGS TO BE
M12 EXPANSION BOLTS

C/LINE OF
OPENING

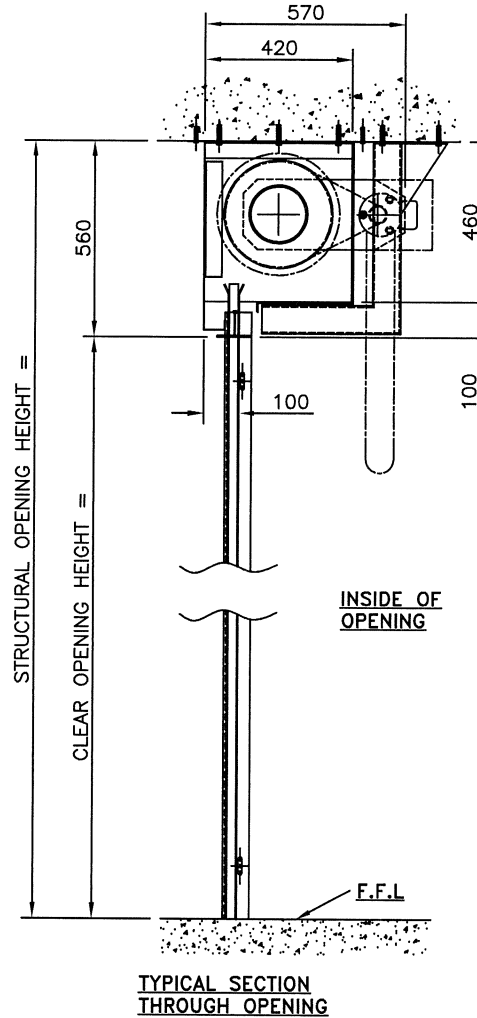
MOTOR UNIT



ELEVATION VIEWED FROM INSIDE OF OPENING



PLAN VIEW



TYPICAL SECTION THROUGH OPENING

NOTES

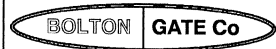
1. IT IS THE CLIENTS RESPONSIBILITY TO ENSURE THAT THE STRUCTURE IS CAPABLE OF ACCEPTING THE FIXINGS SHOWN AND SUPPORTING THE DOOR WEIGHT WHILST AT REST AND DURING OPERATION.

APPROX. DOOR WEIGHT = _____ kg.

2. BOLTON GATE CO. LTD. RECOMMEND THAT FULL ACCESS TO THE SHUTTER BOX BE PROVIDED ACROSS THE OPENING, FOR MAINTENANCE/REPLACEMENT PURPOSES. IF FULL ACCESS IS NOT PROVIDED, BOLTON GATE CO. LTD. WILL NOT ACCEPT ANY CHARGES ASSOCIATED WITH THE GAINING OF ACCESS, TO FACILITATE THE MAINTENANCE OR REPLACEMENT OF ANY SHUTTER COMPONENTS.

3. ALL EXPOSED SUPPORTING STEELWORK MUST BE SUITABLY FIRE PROTECTED BY OTHERS, AFTER THE INSTALLATION OF THE SHUTTER. THE CLIENT MUST ALSO ENSURE THE BACK FILLING OF ANY GAPS BETWEEN THE DOOR AND THE OPENING STRUCTURE, DUE TO UNEVEN OR OUT OF SQUARE OPENINGS. MATERIAL EQUAL TO THE FIRE RESISTANCE OF THE DOOR MUST BE USED. FAILURE TO COMPLETE THIS WORK MAY INVALIDATE THE FIRE INTEGRITY.

4. ELECTRICAL OPERATION:
CLIENT TO PROVIDE, PRIOR TO SHUTTER DELIVERY, EITHER:
A 230V, SINGLE PHASE SUPPLY TERMINATING AT AN IEC 60309-2, 16 AMP, 2 POLE AND EARTH SOCKET WITHIN ONE METRE OF THE MOTOR POSITION
OR
A 400V, 3 PHASE SUPPLY TERMINATING AT AN IEC 60309-2, 16 AMP, 3 POLE, NEUTRAL AND EARTH SOCKET WITHIN ONE METRE OF THE MOTOR POSITION



Bolton Gate Co. Limited
Waterloo Street
Bolton. BL1 2SP
Telephone: 01204 871000
Facsimile: 01204 871049
E-mail: general@boltongate.co.uk

TITLE
ARRANGEMENT FOR ELECTRICALLY OPERATED
4 HOUR FIRE RESISTING ROLLING SHUTTER

SITE

		C		F	DRAWN:	WORKS ORDER No
		B		E	DATE:	
		A		D	CHECKED:	DRAWING NUMBER
DATE	REVISION	REF	DATE	REVISION	SCALE:	
					A3,1:15	