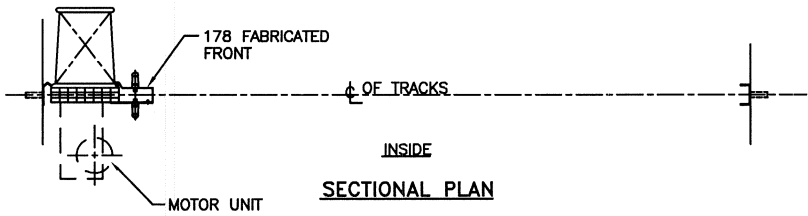
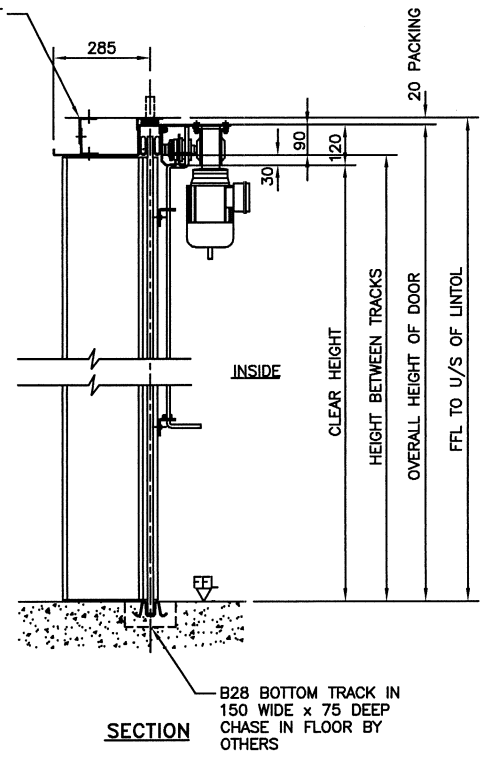
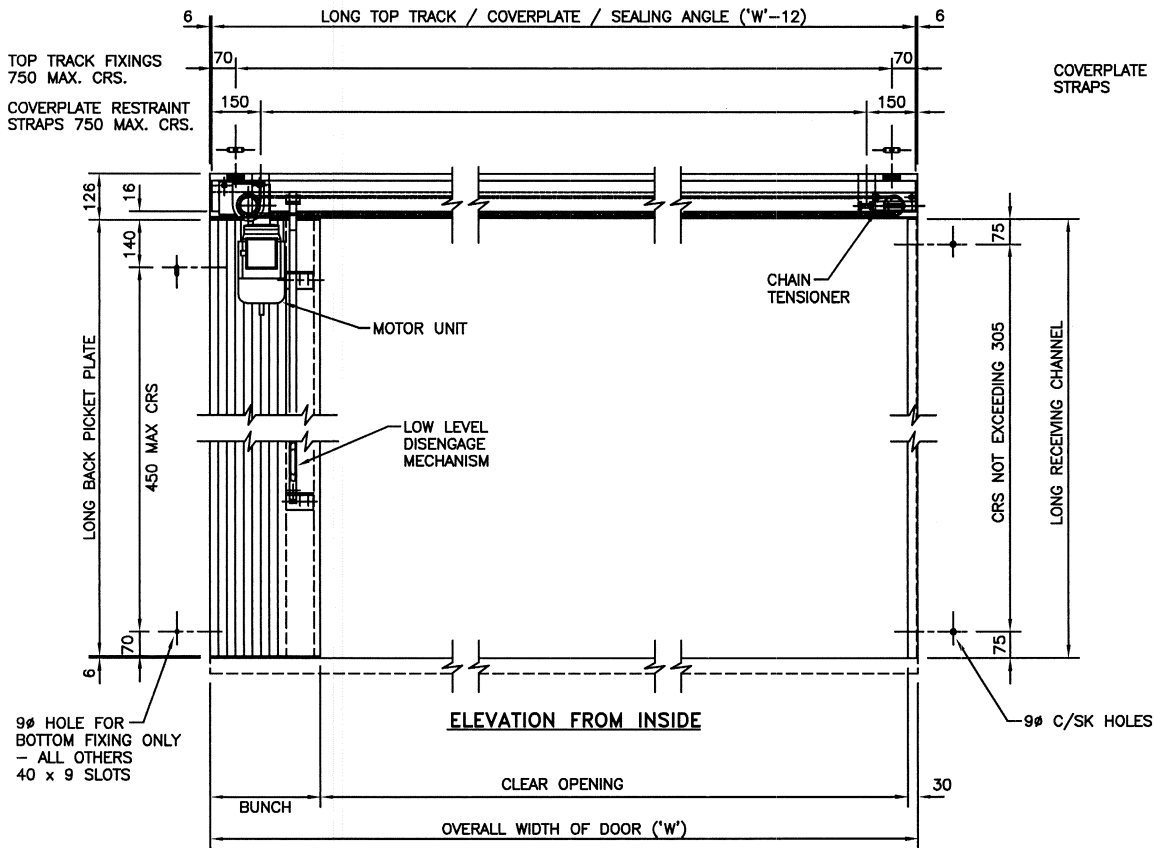



NOTES

1. **STRUCTURAL**
IT IS THE CLIENTS RESPONSIBILITY TO ENSURE THAT THE STRUCTURE IS CAPABLE OF ACCEPTING THE FIXINGS SHOWN AND SUPPORTING THE DOOR/PRODUCT WEIGHT WHILST AT REST AND DURING OPERATION
APPROX DOOR WEIGHT = Kg
2. **BUILDERS WORK**
CLIENT TO PROVIDE 150 WIDE x 75 DEEP CHASE IN FLOOR FOR BOTTOM TRACK & MAKE GOOD AFTER INSTALLATION
3. **ELECTRICAL SUPPLY**
415V 3PH + NEUTRAL 50HZ 10A SUPPLY - CLIENT TO PROVIDE A LOCKABLE ISOLATOR WITHIN 1 METRE OF THE MOTOR POSITION
CLIENT TO PROVIDE A MAINTAINED SUPPLY, TO ENSURE THE DOOR IS CLOSED UNDER POWER.
4. **LOCKING**
5. **FINISH**



 <p>Bolton Gate Co. Limited Waterloo Street Bolton. BL1 2SP Telephone: 01204 871000 Facsimile: 01204 871049</p>	TITLE	DETAILS OF 4 HR F.R. ELECTRICALLY OPERATED EUROFOLD DOOR (RH) (UPTO 3m x 3m)	C		F	DRAWN:	WORKS ORDER No	
	SITE		B		E	DATE:		
	DATE	REVISION	REF	DATE	REVISION	D	CHECKED:	DRAWING NUMBER
						REF	SCALE:	