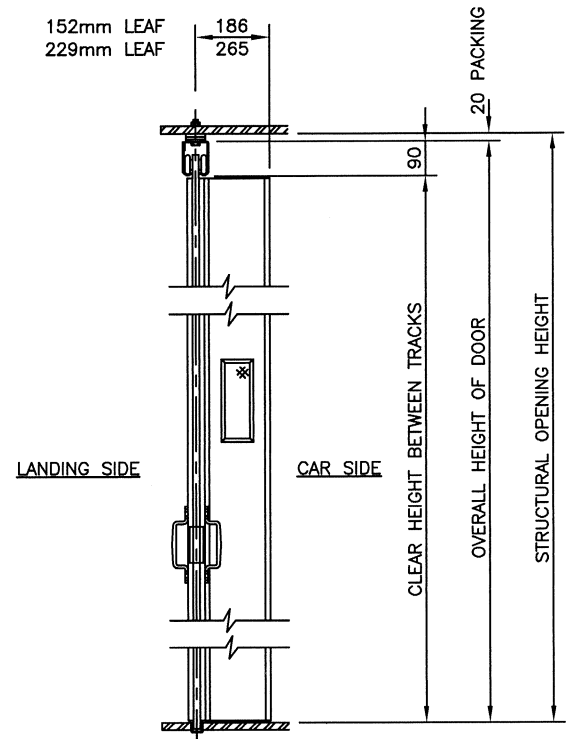
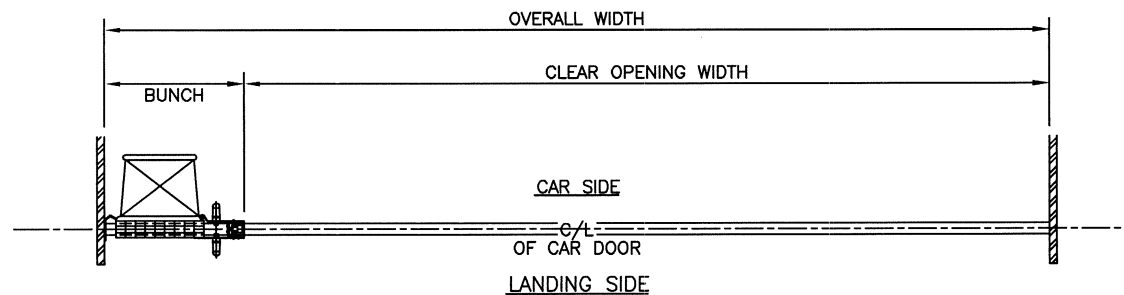


ELEVATION FROM LANDING SIDE

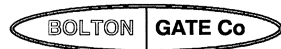


SECTION



SECTIONAL PLAN

SPECIFICATION	
RIGHT HAND DOOR	
117mm SHUTTER FRONT	
PAIRS OF 152mm / 229mm WIDE LEAVES	
VISION PANEL IN FIRST LEAF	
BOW HANDLES TO BOTH SIDES OF DOOR	
MALLEABLE IRON MATTHEWS CATCH	
90mm TOP TRACK	
CHANNEL BOTTOM TRACK	
STANDARD GALVANISED FINISH	



Bolton Gate Co. Limited
 Waterloo Street
 Bolton. BL1 2SP
 Telephone: 01204 871002
 Facsimile: 01204 871049

CLIENT	TITLE	C	DRAWN:	WORKS ORDER No
	GENERAL ARRANGEMENT FOR NON FIRE RESISTING EUROFOLD LIFT CAR DOOR	B	DATE:	
SITE NAME	DOOR REFERENCE NUMBER	A	CHECKED:	DRAWING NUMBER
		REF	SCALE: N.T.S.	
	REVISION			