

THERMAFOLD 2000

Top Hung Insulated Folding Doors

The Thermafold 2000 insulated folding door is designed for larger openings or exposed locations where its robust construction makes it particularly tolerant of high wind conditions. Its flush faced design renders a high aesthetic appearance with the energy saving benefits of an insulated construction.

STANDARD SPECIFICATION

Panels

The door panels are constructed from internal steel channels with flat galvanised facing sheets on both sides.

They are infilled with a high density insulation material and have an overall thickness of 63mm.

Tracks

The door panels are hung on four wheel trolley bearing hangers which incorporate the panel hinges and run in a galvanised top track. An auxiliary top track is attached to allow the panels to fold correctly.

Brass rollers connected to the bottom hinges run in a steel channel bottom track which is set far alignment within a 200x100mm chase before final grouting into position.

Door Arrangements

The doors are normally face fixed to the inside of the opening but can be arranged to mount directly between jambs. They can be supplied as a single door (bunching to one side) or biparting.

Thermal Insulation

The door panels provide a "u" value of 0.47w/m²/deg.C.

Operation

The doors are electrically operated as standard using a totally enclosed 3 phase motor gearbox mounted on the top track with open/close/stop push buttons adjacent to the opening at the slam side. Disconnection or emergency manual operation is provided at low level adjacent to the motor. Safety edges are fitted as standard to the leading edges.

FINISH

The majority of parts are galvanised with other components



prime painted. Polyester powder coating to a range of standard colours is an optional extra.

MAXIMUM SIZES

Singles: 12 Metres wide x 8 metres high
Pairs: 24 metres wide x 8 metres high

SPEED OF OPERATION

Approximately 200mm per second per door leaf.

WEIGHT

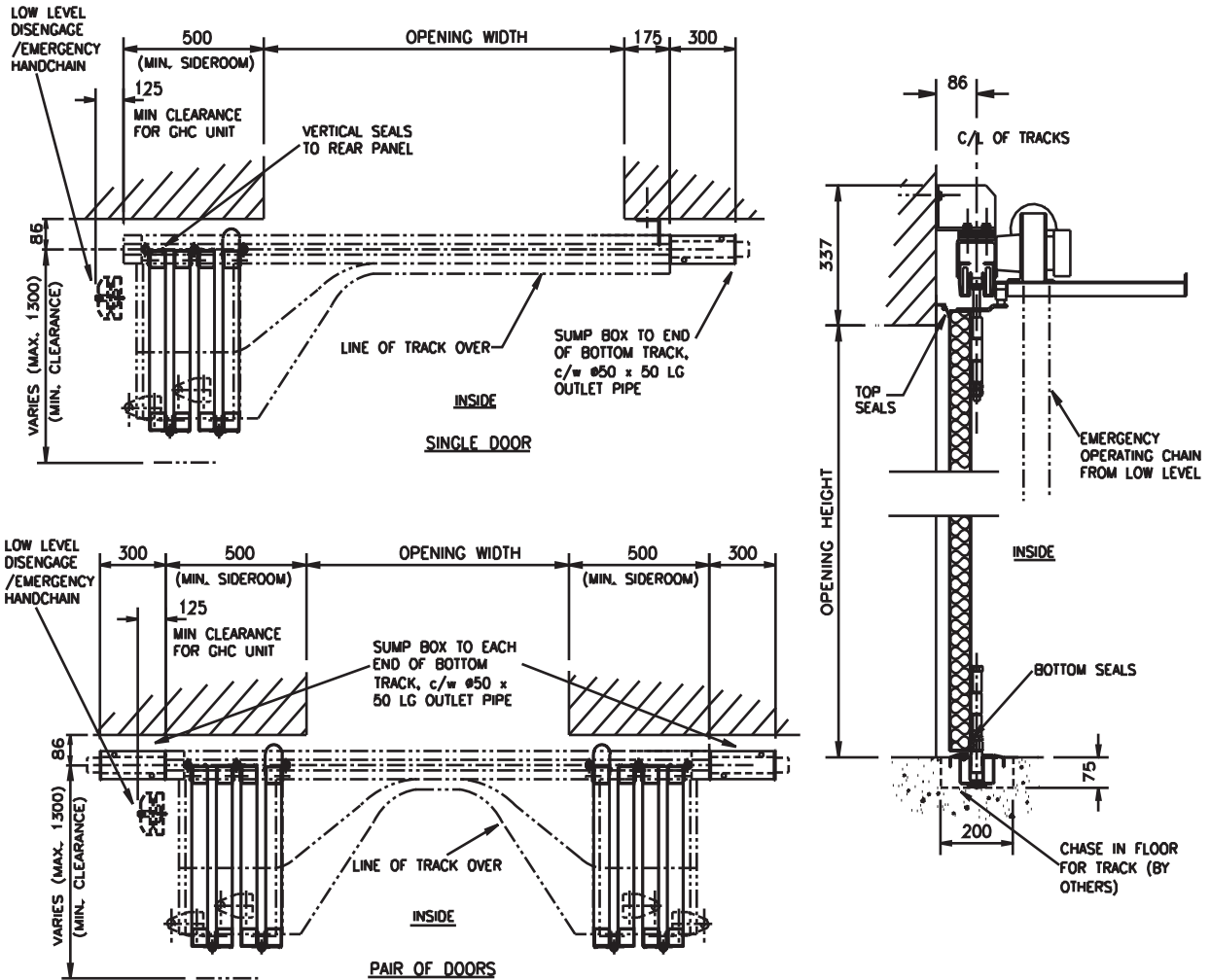
Approximately 45kgs per m²

OPTIONS

- Wicket doors with cylinder lock
- Cut outs for runway beams.
- Double glazed vision panels.
- Polyester powder coating in a range of standard colours.
- HP200 Colorcoat Plastisol in a range of standard colours.
- A variety of controls.
- Safety photocells.

THERMAFOLD 2000

Top Hung Insulated Folding Doors



OPENING WIDTH SINGLE DOORS	No OF PANELS	MIN. SIDEROOM	OPENING WIDTH PAIRS OF DOORS	No OF PANELS	MIN. SIDEROOM
UP TO 2400	2	500	UP TO 4800	2 EACH HALF	500
2401 TO 4800	4	500	4801 TO 9600	4 EACH HALF	500
4801 TO 7200	6	640	9601 TO 14400	6 EACH HALF	640
7201 TO 9600	8	780	14401 TO 19200	8 EACH HALF	780
9601 TO 12000	10	920	19201 TO 24000	10 EACH HALF	920

ALL DIMENSIONS IN MILLIMETRES