

ROLLER SHUTTERS

Bolton Gate Roller Shutters are an economical method of providing a secure and weatherproof closure to large or small openings. They are suitable for loading bays, factories, warehouses and any applications where security is required and represent a reliable and efficient closure for most applications.

Roller shutters provide a virtually unobstructed opening and when open, the shutter and mechanism are out of the way above the doorway and clear of any risk of damage from vehicles moving through the opening. The doors are robust and have a long life with little maintenance required.

Bolton Gate Roller Shutters have been supplied on many prestigious projects worldwide for over 60 years and come with the technical design and back up for which the Company is renowned. Shutters can be supplied as standard up to 7000mm wide. Larger widths up to 12 metres are available (please consult sales office for details).

STANDARD SPECIFICATION

Curtain

Shutter curtains are constructed from continuously interlocked galvanised steel laths, securely held in place by end locks. Various thicknesses and profiles are available according to individual criteria such as size, wind loading etc. Bottom rails are generally galvanised and roll-formed into a tee section.

Guides

Vertical guides are formed from rolled steel or fabricated dependent on size and wind loading and are supplied with suitable angles for fixing to the structure.

Endplates

Prime painted mild steel of appropriate thickness relative to door size and supplied with angles for fixing to the structure.

Barrel

The barrel is constructed from seamless steel tube of adequate diameter to resist deflection and held in bearings or cups attached to the endplates.

Finish

Generally galvanised with non-galvanised parts prime painted.

OPERATION

Push-up

Suitable for smaller openings where frequency of operation is limited and balanced by an internal spring in the barrel. Openings exceeding 2500mm x 2500mm should be chain or electrically operated.

Chain Operation

Suitable for larger openings with infrequent usage and available up to 5000mm x 5000mm. Balance is achieved by an internal



spring in the barrel and operation by endless chain with a chain locking box to suit client's padlock.

Electrical Operation

Suitable for larger openings or when frequent usage is envisaged. Various types of arrangement are available with smaller openings typically using a 240 volt single phase tubular motor and larger shutters operated by a 400 volt 3 phase geared motor mounted on one endplate. Adjustable limit switches are incorporated to stop the shutter at the end of each travel.

Standard controls are open/close/stop buttons for geared motors and rocker switches on single phase tubular motors.

WEIGHT

Dependant upon size and lath configuration but typically 35kgs per m².

OPTIONS

Hoods/Fascias

Galvanised steel hoods and fascias can be supplied to cover the coiled shutter and motor.

Wicket Doors

Wicket or Pass Doors are available on chain and electrically operated shutters up to certain sizes. On electric shutters, a safety interlock switch is fitted to prevent operation until the wicket door frame is clear of the curtain.

Lath Designs

Various lath designs are available from a 51mm flat lath for smaller openings to the traditional 76mm curved and 102mm flat laths for industrial and exposed locations. The laths can be perforated or punched to allow ventilation and/or provide through visibility whilst maintaining the necessary security.

Controls

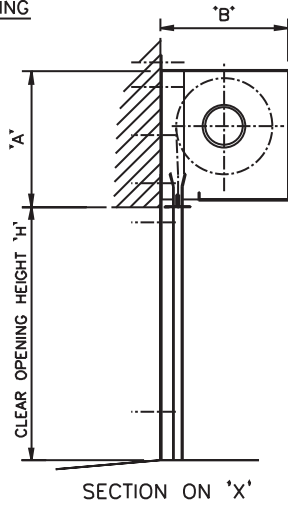
A variety of controls is available including remote operation by card reader, photocell or loop detectors and facility for linking into the client's BMS.

Finishes

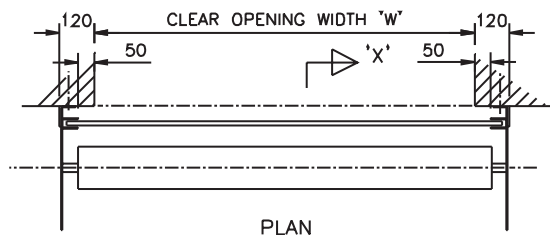
Polyester powder coating in a range of standard RAL colours is available.

ROLLER SHUTTERS

SELF COILING



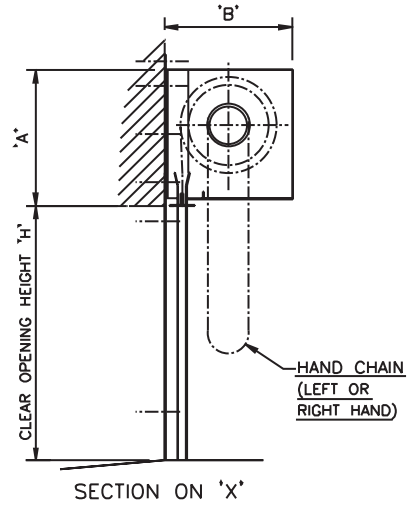
SECTION ON 'X'



PLAN

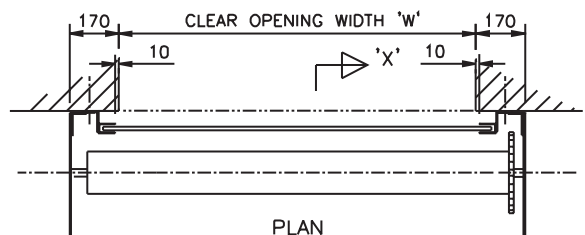
FACE FIXED

CHAIN



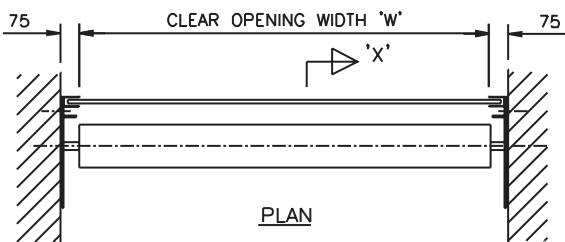
SECTION ON 'X'

HAND CHAIN
(LEFT OR
RIGHT HAND)



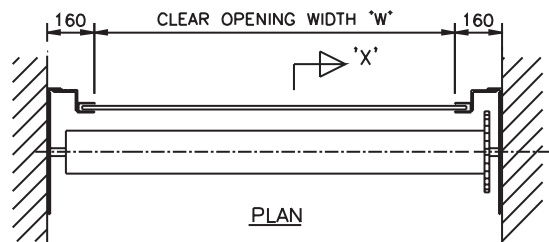
PLAN

FACE FIXED



PLAN

BETWEEN FIXED



PLAN

BETWEEN FIXED

HEIGHT 'H'	ENDPLATE SIZE	
	'A'	'B'
2500	375	350
2100	330	305
1500	305	280

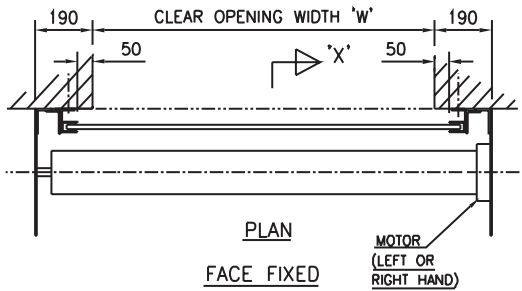
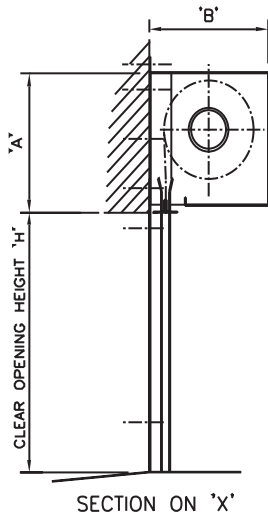
MAXIMUM SIZE:- 2500 W x 2500 H

HEIGHT 'H'	ENDPLATE SIZE	
	'A'	'B'
5000	425	400
2800	375	350

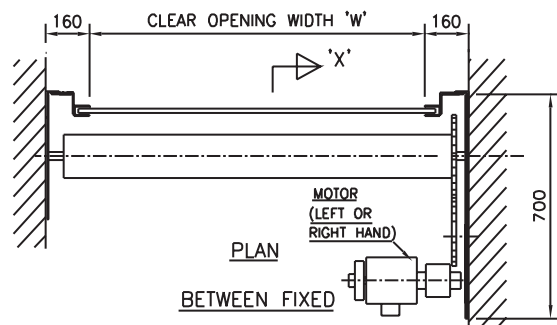
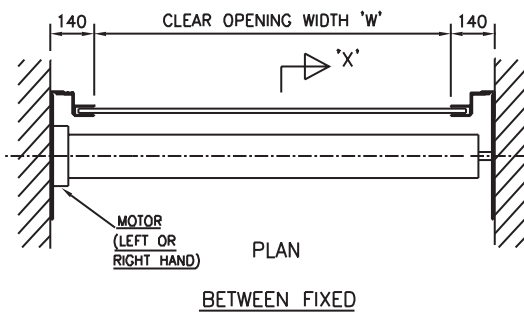
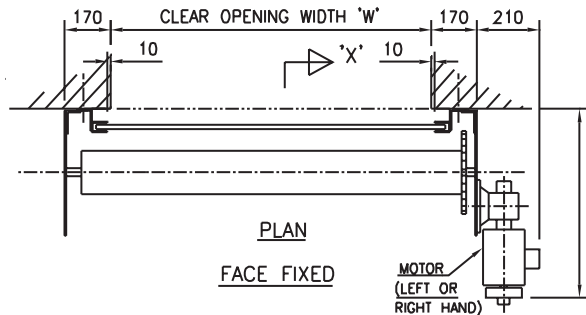
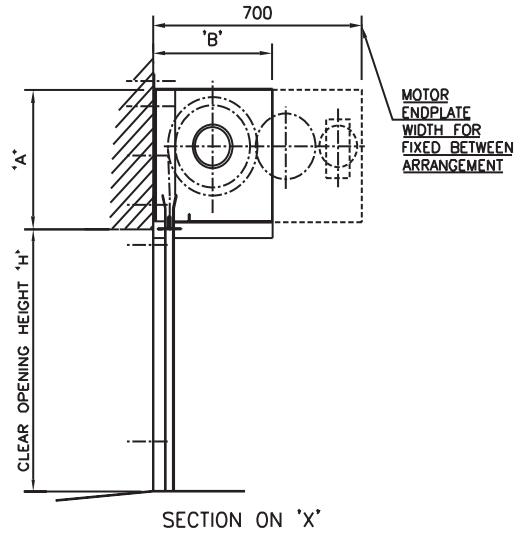
MAXIMUM SIZE:- 5000 W x 5000 H

ROLLER SHUTTERS

ELECTRIC (TUBE MOTOR)



ELECTRIC (3 PHASE MOTOR)



HEIGHT	ENDPLATE SIZE	
	'A'	'B'
3000	375	350
2100	330	305

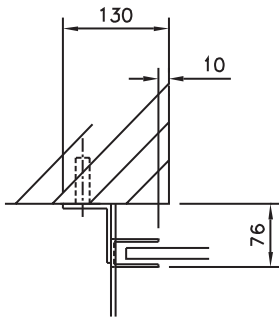
MAXIMUM SIZE:- 6000 W x 3000 H

HEIGHT	ENDPLATE SIZE	
	'A'	'B'
6000	475	450
5000	425	400

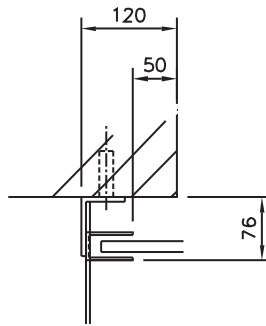
MAXIMUM SIZE:- 7000 W x 6000 H

ROLLER SHUTTERS

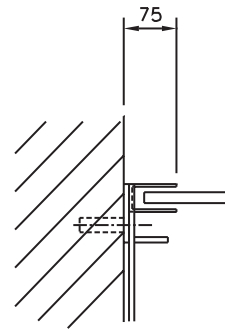
SELF COILING GUIDE DETAILS



FACE FIXED (INSIDE)
(FLAG GUIDE)

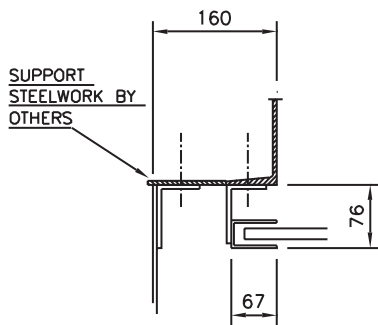


FACE FIXED (OUTSIDE)
(FLAG GUIDE)

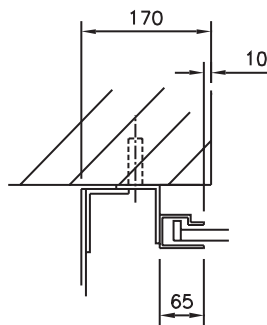


BETWEEN FIXED

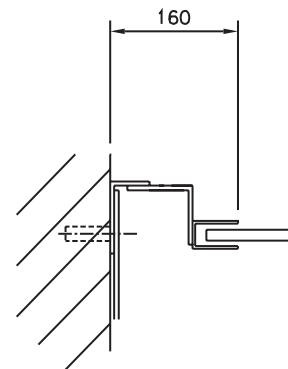
CHAIN & ELECTRIC OPERATED GUIDE DETAILS



FACE FIXED TO STEEL (STD. GUIDE)

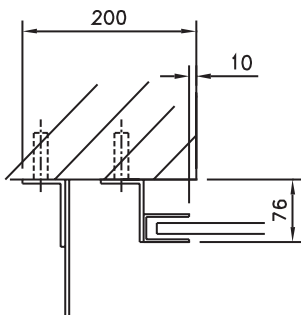


FACE FIXED (WIND GUIDE)
(ON DOORS OVER 4500mm WIDE)

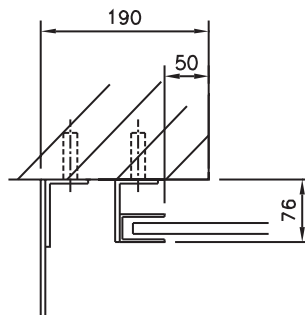


BETWEEN FIXED

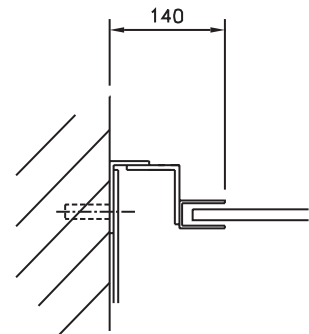
240 VOLT TUBE MOTOR GUIDE DETAILS



FACE FIXED (INSIDE)



FACE FIXED (OUTSIDE)



BETWEEN FIXED