

MID BAR

Collapsible Lift Gates

Bolton Gate have been manufacturing lift gates for over seventy years and have supplied thousands of gates on goods lifts worldwide. Mid Bar Collapsible Gates are renowned for their strength and reliability, important features when considering the heavy usage the majority of goods lifts are expected to cope with. Their compact bunching action means that they take up little space relative to the size of the entrance and headroom requirements are minimal.

All gates are custom-built to suit individual openings affording maximum flexibility to clients' designs.

STANDARD SPECIFICATION

Gate frame

The gates are constructed from 16mm double channel vertical steel pickets connected by 6mm thick solid lattice bars working on the lazy tong principal for ease of operation. Full mid bars are fitted between each set of pickets to reduce the gaps in line with lift legislation.

Top track

Gates are top hung from a flat bar type top track which is fixed at each end and has a rounded top edge to facilitate operation. Larger gates are supplied with a box-type top track which in addition to the end fixings, has intermediate fixings to support the weight of the gate.

Bottom track

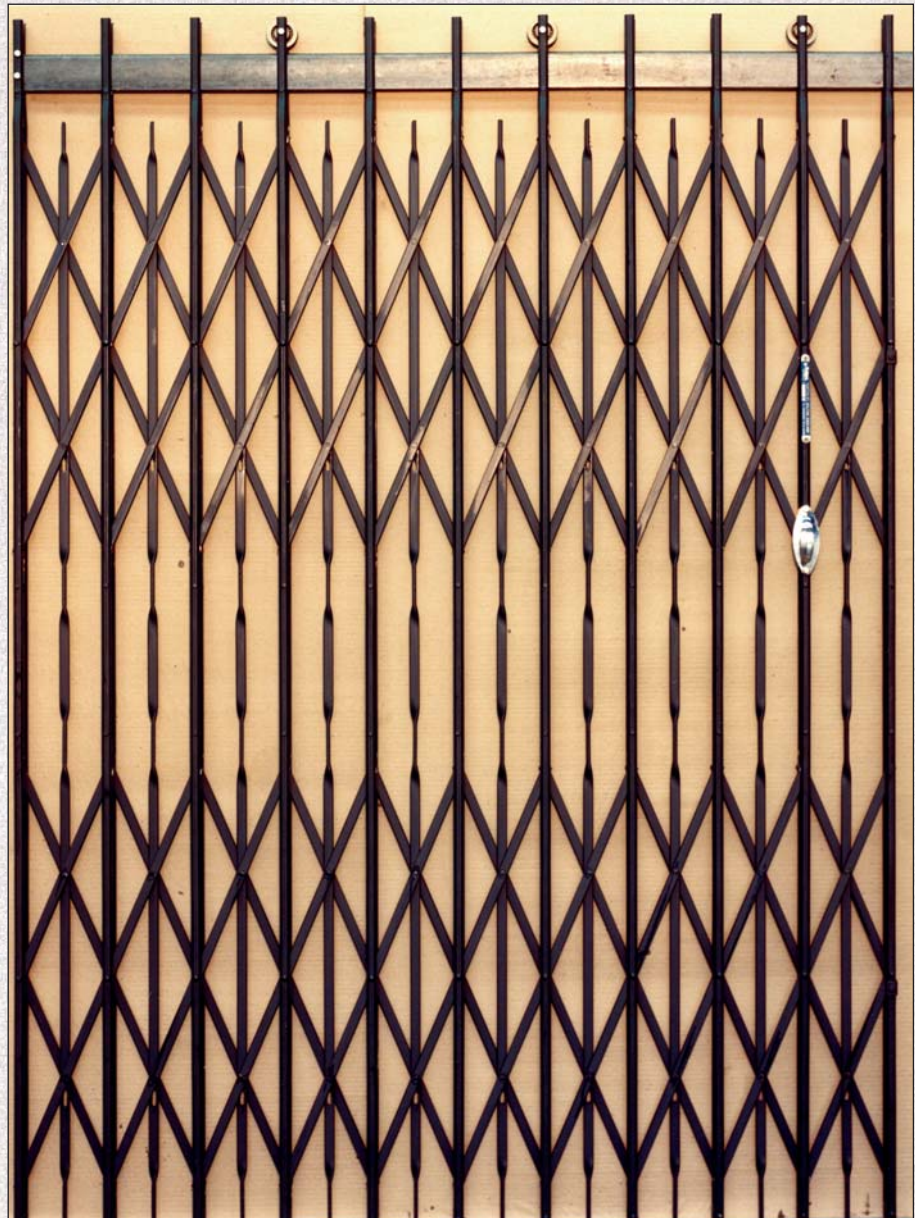
Malleable cast guides pieces are attached to the base of each picket and run in a recessed 26 x 25mm galvanised steel channel bottom track.

Handles

Gates are supplied with our standard No. 1 pull handles.

MAXIMUM SIZES

8 metres wide x 6 metres high



FINISH

Galvanised as standard.

WEIGHT

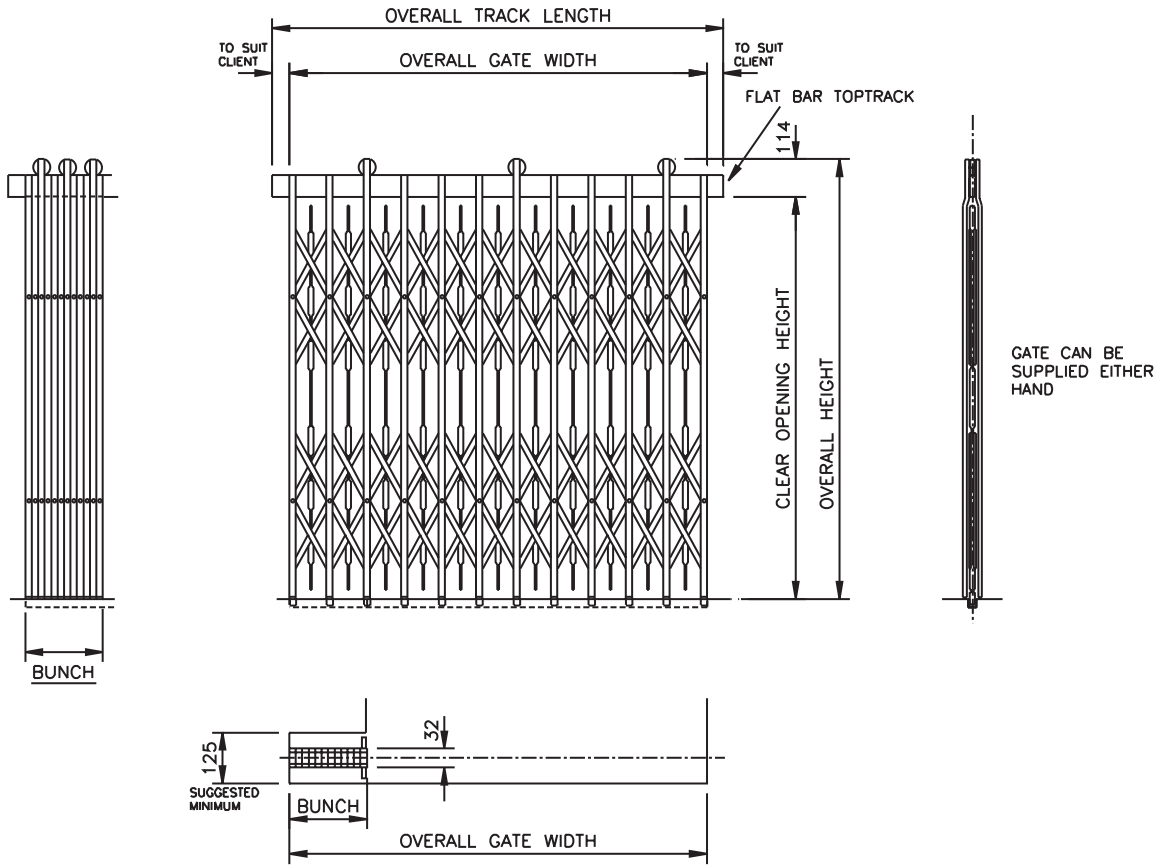
32 kgs per m².

OPTIONS

- Mathews catch
- Centre latch with lever handles
- Polyester powder coated to a range of BS or RAL colours
- Fabricated leading edge

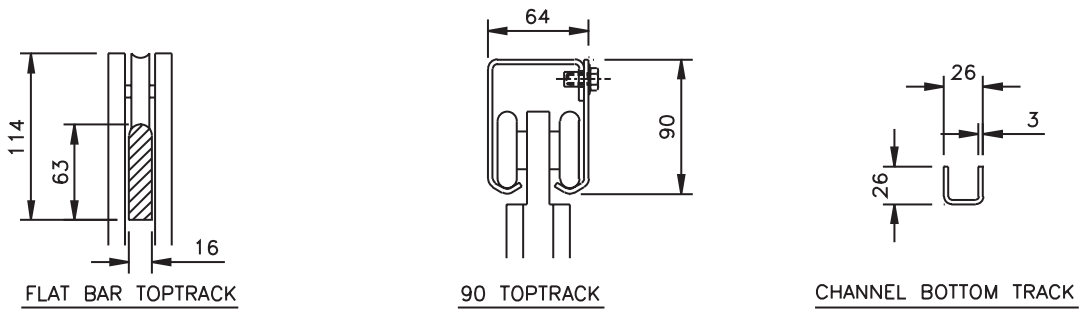
MID BAR

Collapsible Lift Gates



16mm PICKETS	NUMBER OF PICKETS																			
	5	6	7	8	9	10	11	12	13	14	15	16	17	18	19	20	21	22	23	24
MAX WIDTH	600	746	892	1038	1184	1330	1476	1622	1768	1915	2061	2207	2353	2499	2645	2791	2937	3083	3229	3375
BUNCH	87	105	122	140	157	175	192	210	227	244	262	279	297	314	332	349	367	384	402	419

TRACK DETAILS



ALL DIMENSIONS IN mm