

INSULATED ROLLER SHUTTERS

Bolton Gate Insulated Roller Shutters provide a secure and weatherproof closure to large or small openings. They are suitable for loading bays, factories, warehouses and any applications where security is required together with thermal insulation.

Roller shutters provide a virtually unobstructed opening and when open, the shutter and mechanism are out of the way above the doorway and clear of any risk of damage from vehicles moving through the opening. The doors are robust and have a long life with little maintenance required.

These doors have been used extensively on projects worldwide where their strength and robust design assures longevity of life and reliability of operation.

STANDARD SPECIFICATION

Curtain

Shutter curtains are constructed from 100mm high flat section continuously interlocked galvanised steel laths which are securely held in place by end locks. Each lath is infilled by suitable insulating material and bottom rails are made from galvanised steel formed from single or double angles. The shutter has an insulation value of 1.4 w/m² and a weighted sound reduction value of 18dB.

Guides

Vertical guides are formed from rolled steel into a double rebate, are fitted with twin full-height brush seals and are supplied with suitable angles for fixing to the structure.

Endplates

Prime painted mild steel of appropriate thickness relative to door size and supplied with angles for fixing to the structure.

Barrel

The barrel is constructed from seamless steel tube of adequate diameter to resist deflection and held in bearings or cups attached to the endplates.

Finish

Generally galvanised with non-galvanised parts prime painted. Polyester powder coating and Colorcoat HP 200 in a range of colours is available at extra cost.

ELECTRICAL OPERATION

All shutters are operated by a 400 volt 3 phase geared motor with inbuilt safety brake mounted on one endplate. Adjustable



limit switches are incorporated to stop the shutter at the end of each travel.

Standard controls are open/close/stop buttons with other options available.

MAXIMUM SIZES

12 metres wide x 8 metres high

SPEED OF OPERATION

Approximately 150mm per second.

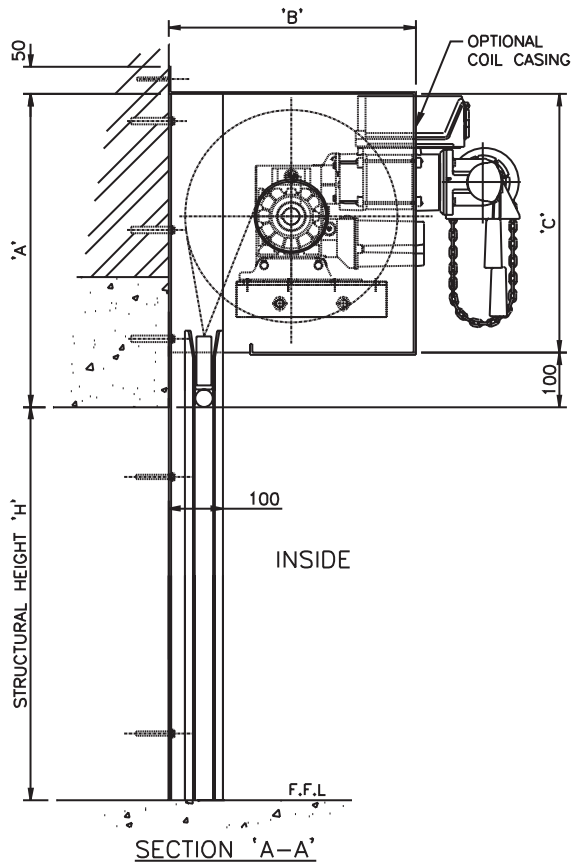
WEIGHT

Dependant upon size and lath configuration but typically 50kgs/m².

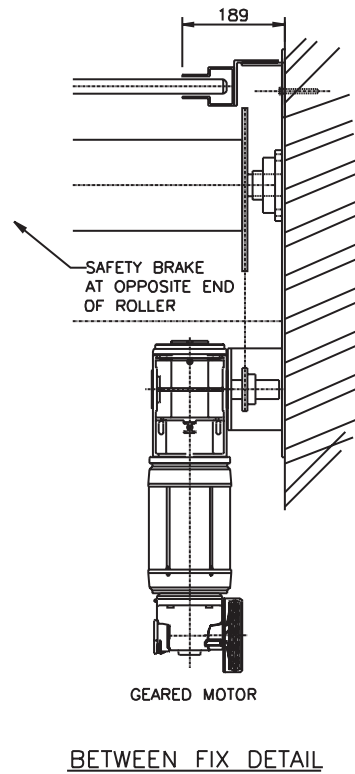
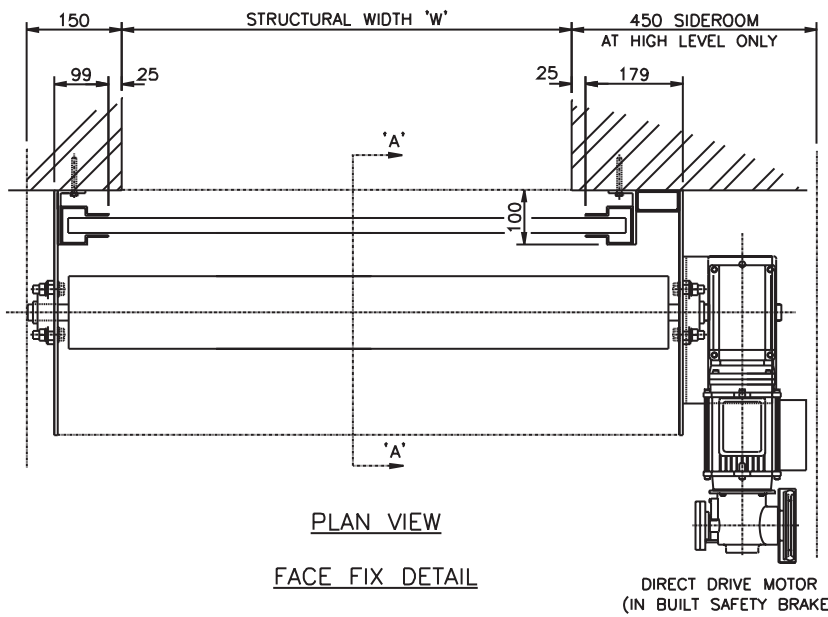
OPTIONS

- Keyswitches
- Radio control
- Loop detectors
- Photocells
- Timer closing
- Polyester powder coated finish
- Colorcoat HP 200 finish
- Hoods
- Fascias
- Double glazed vision panels

INSULATED ROLLER SHUTTERS



HEIGHT 'H'	A	B	C
UP TO 3000	506	406	406
3001 TO 4500	600	500	500
4501 TO 6000	700	600	600



ALL DIMENSIONS IN mm.