

FIREROLL E30/60

Fire Resisting Roller Shutters

Bolton Gate's range of Fireroll roller shutters is designed to provide compartmentation for smaller openings where its attractive close fitting lath curtain and concealed tubular motor make it eminently suitable for all applications but particularly every type openings or where aesthetic appearance is paramount.

Fireroll E30/60 has been extensively tested to both BS476 Part 22 1987 and BS EN 1634-1 for 30 and 60 minutes fire resistance.

The shutter is electrically operated as standard with controlled descent gravity failsafe closure thus avoiding any potential Health and Safety risks associated with manual shutters whose closing mechanism incorporates a drop bar system.

STANDARD SPECIFICATION

Construction

The shutter curtains are constructed from continuously interlocking 51 x 0.9mm thick flat faced laths securely held in place by endlocks. The bottom rail is also formed from a reinforced lath to give uniformity of appearance.

Guides

Vertical guides are fabricated from cold rolled galvanised steel channels 40 x 25mm which are attached to the supporting structure.

Roller

The roller is made from seamless steel tube of adequate diameter to avoid deflection and is supported on steel endplates on bearings.

Coil Casing

Constructed from galvanised steel and attached to the structure by M6 fixings.

Drive/Controls

For everyday use, the shutter is electrically operated via a 240 volt tubular motor mounted inside the roller and is operated from a high-level control panel mounted above the ceiling and an attractive stainless steel recessed keyswitch at low level.

A pair of terminals is provided in the control panel to accept a



normally closed volt free contact from the client's fire detection or building management system.

When the mains supply is removed or the control panel receives a fire signal, the motor brake is released and the shutter closes under gravity with a controlled descent.

The standard system is supplied pre wired in our factory thus avoiding the expense of a site electrician and merely needs a 13 amp three pin socket within one metre of the motor position.

MAXIMUM SIZES

4000mm wide x 2500mm high.

SPEED OF OPERATION

Approximately 75mm per second.

WEIGHT

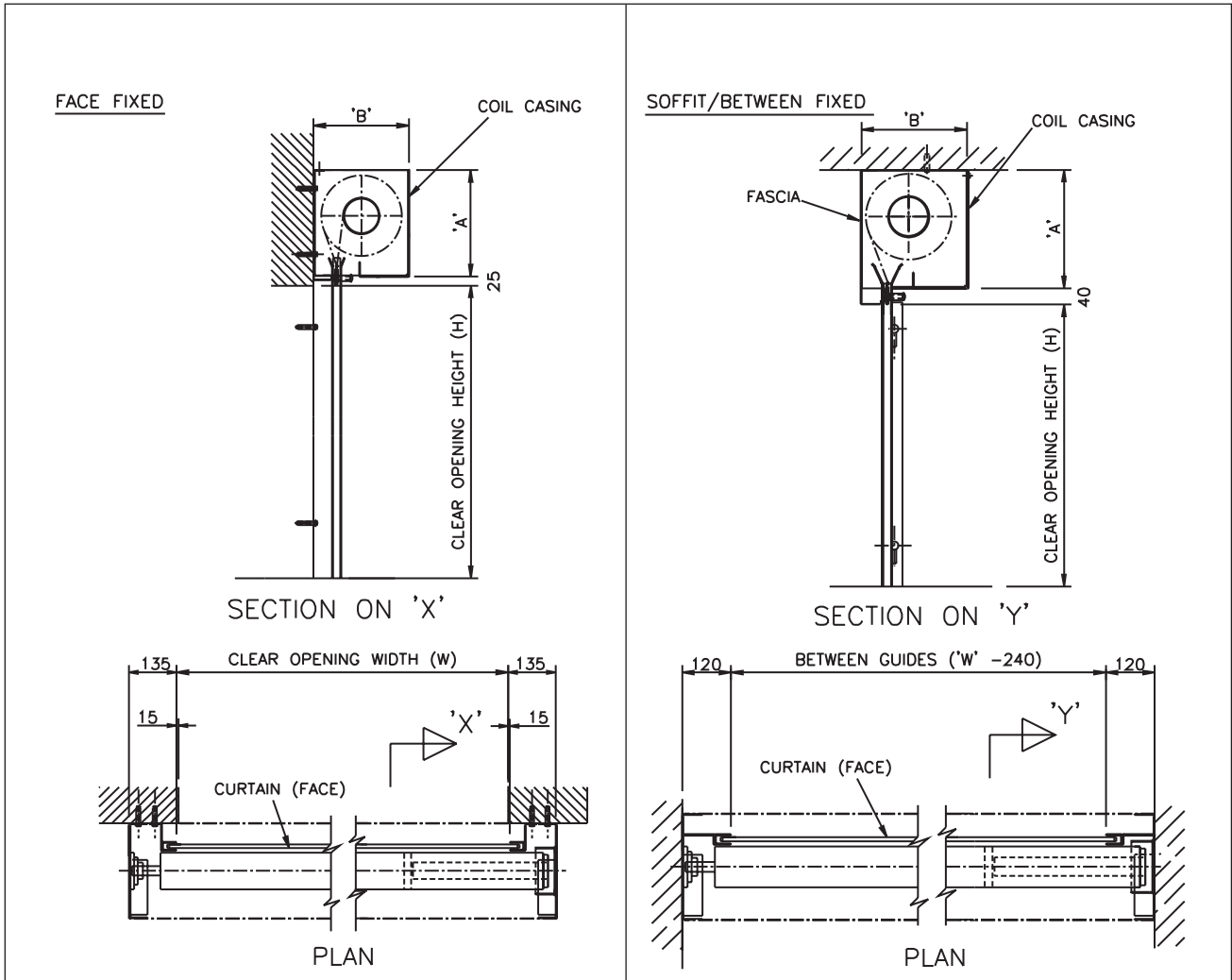
Approximately 25kgs per m²

OPTIONS

- Polyester powder coated finish to a standard BS or RAL colour.
- Grade 304 or 316 stainless steel construction.
- 24 volt DC operation with battery back-up.
- Audio visual warning.

FIREROLL E30/60

Fire Resisting Roller Shutters



CLEAR OPENING HEIGHT (H)	'A'	'B'
UP TO — 2100mm	290	260
2101mm — 3000mm	360	330

