

EUROFOLD

Folding Lift Shutters

Bolton Gate's Eurofold folding shutters have become the standard in the lift industry for reliability and strength. Their compact folding action ensures that as much of the opening width is utilised - a distinct advantage over sliding doors.

Their double picket construction makes them inherently strong and ideally suited to the needs of cargo lifts, a fact which is borne out by thousands of successful installations worldwide.

STANDARD SPECIFICATION

Gate Frame

Eurofold's extra strength is gained from the gate frame which is formed from unique double channel vertical pickets made from galvanised steel, 1.2mm thick. These are interconnected by 2mm thick galvanised cold formed lattice bars.

The gate frame is top hung from a ball bearing pulley connected to the picket by zinc plated pulley brackets. At the bottom, the frame is fitted with zinc plated bottom guide pieces designed to run in a bottom track.

Leading Edge

Roll-formed galvanised steel 117mm wide prepared for locks, latches or interlock beaks. Number 10 bow handles are fitted as standard.

Shutter Leaves

The shutter leaves are rolled from galvanised steel and are available in the standard width of 152mm with 229mm versions also available.

Top Track

The standard top track from which the shutter is suspended is constructed from two galvanised steel sections 90mm deep, bolted together to give a strong smooth running section for the shutter thus minimising friction. Only a small amount of headroom is required for the top track and variable packing is provided to allow adjustment in height during longer term service requirements.

Bottom Track

The bottom guide pieces are retained within a 25 x 25mm galvanised steel channel bottom track.

Fire Resistance

Landing doors are supplied in a fire-resisting version when specified. The door has been tested to BS 476 Part 22 1987 and BS EN 1634-1 for two hours fire resistance.

MAXIMUM SIZES

7 metres wide x 7 metres high



FINISH

Mainly galvanised steel with ungalvanised components finished with one coat of priming paint.

WEIGHT

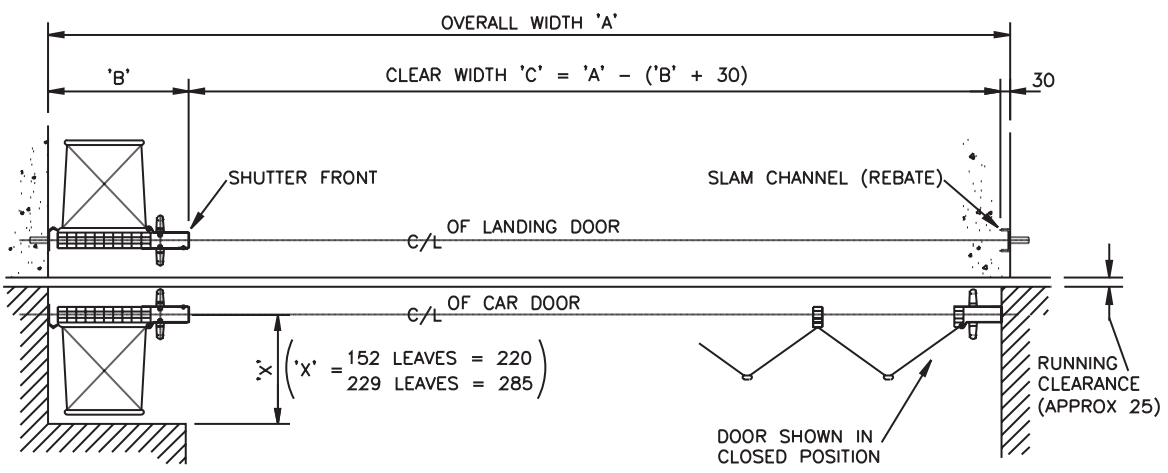
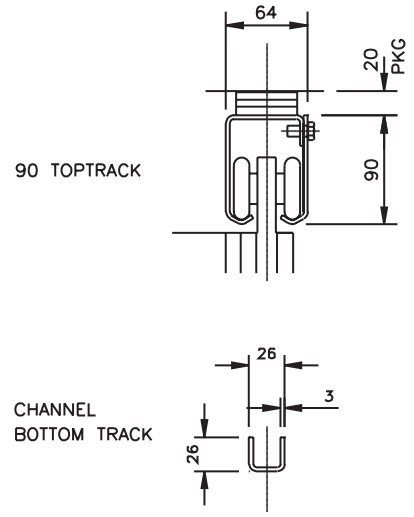
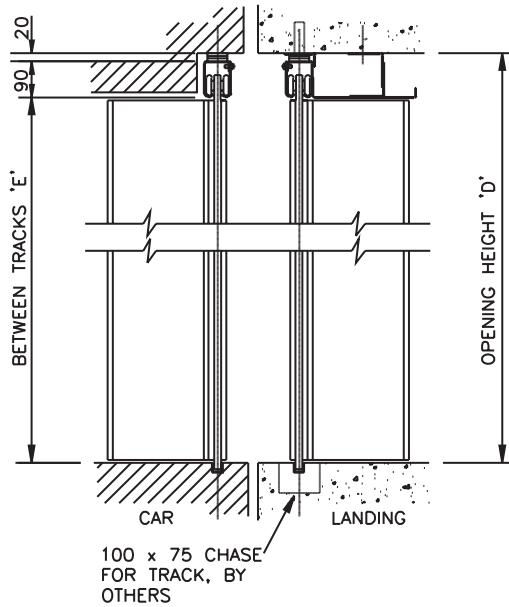
Approximately 35kgs per m².

OPTIONS

- Vision panel
- Trigger latch
- Centre latch with handles
- Mathews catch
- VL10 gatelock
- Recessed handle
- Subframes
- Polyester powder coating
- Stainless steel

EUROFOLD

Folding Lift Shutters



152mm LEAVES	DIM 'C'	741	1030	1295	1560	1825	2090	2355	2620	2885	3150
	DIM 'A'	1020	1312	1604	1896	2188	2480	2772	3064	3356	3648

229mm LEAVES	DIM 'C'	1185	1590	1995	2400	2805	3210	3615	4020	4425	4830
	DIM 'A'	1440	1872	2304	2736	3168	3600	4032	4464	4896	5328

BUNCH	DIM 'B'	225	252	279	306	333	360	387	414	441	468
-------	---------	-----	-----	-----	-----	-----	-----	-----	-----	-----	-----

NOTE!

THE OVERALL WIDTH AND BUNCH DIMENSIONS ARE CALCULATED USING BOLTON GATE STANDARD 117 ROLLED OR 127 FABRICATED FRONTS. TOP TRACK LENGTH = OVERALL WIDTH - 12.

ALL DIMENSIONS IN mm