

COMPOSITE SLIDING FIRE DOORS

Bolton Gate Composite sliding fire doors are approved for up to four hours fire resistance in accordance with BS 476 Part 22 1987 and are also approved by Factory Mutual. Their flush-faced appearance and slimline construction makes them an ideal solution to openings where headroom restrictions prohibit other types of door. They can be designed to blend in with the surrounding structure or even used as a feature due to their versatility of panel designs - stainless steel and factory finished door leaves are available.

STANDARD SPECIFICATION

Door leaves

The door leaves are manufactured from 1.5mm thick zintec steel sheets with reinforcing channels fixed internally and rockwool insulation. Overall panel thickness is 43mm.

Tracks

The doors are suspended from galvanised steel box-type top tracks by ball bearing pulleys and the track fixed to the structure by means of fabricated steel track brackets. The design includes a floor bobbin and therefore no bottom track is needed.

Frame

A peripheral interlocking steel frame is supplied to maintain a fire seal.

MAXIMUM SIZES

2.5 metres x 2.5 metres

OPERATION

Manual operation

Most doors are normally parked in the fully open position closing only in the event of fire. In these circumstances, the doors would be supplied manually operated with self-closing activated by either a fusible link or the interruption of a permanent fire signal to a 24 volt DC magnet. In the latter case, we recommend a speed governor to control the closure.

Electrical Operation

Suitable for larger openings or when frequent usage is envisaged. Operation is via a 240-volt single-phase geared motor with an inherent 24-volt DC magnet which holds the door



open. An open / close / stop push station allows everyday electrical operation but in the event of a fire, interruption of the fire signal to the magnet releases the door which closes manually with a controlled speed.

FINISH

Prime-painted for on site painting by client. Polyester powder coating in a range of BS and RAL colours is available at extra cost.

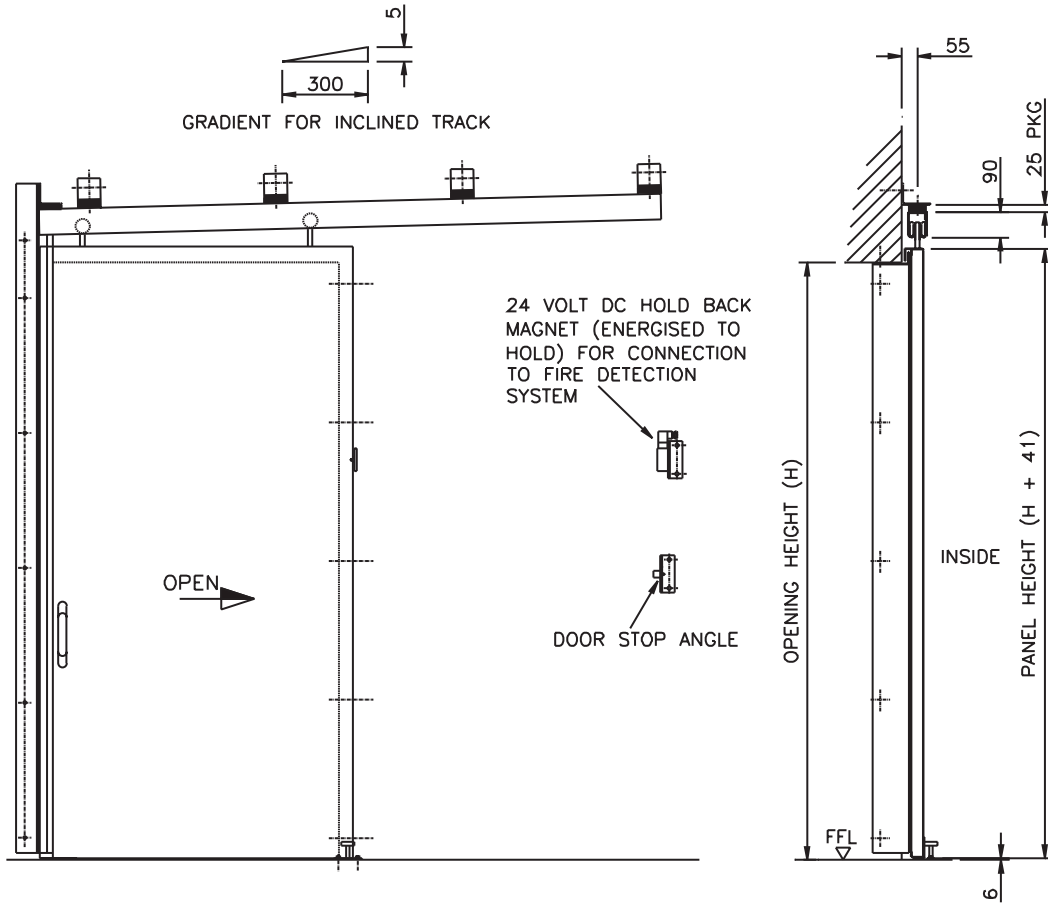
WEIGHT

Approximately 35 kgs per m².

OPTIONS

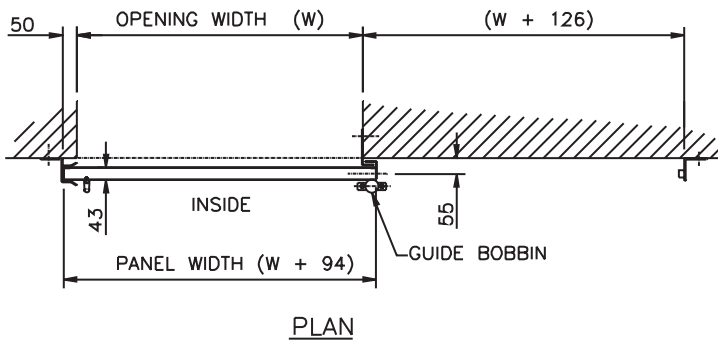
- Fusible link
- Holdback magnet
- Manual or electrical operation
- Bi-parting version
- Polyester powder coated finish
- Stainless steel construction

COMPOSITE SLIDING FIRE DOORS



ELEVATION FROM THE INSIDE

SECTION



PLAN

ALL DIMENSIONS IN mm