

COMPOSITE

Fire Resisting Hinged Steel Doors

Bolton Gate Composite hinged steel doors have been successfully tested to BS476 Part 22 for up to four hours fire resistance.

The heavy-duty construction makes Composite the ideal choice for more onerous conditions such as factories, warehouses, basements etc. where lighter duty doors inevitably entail higher maintenance costs. The door is also approved by various overseas authorities such as Factory Mutual (USA), SISIR (Singapore) and FSD (Hong Kong).

STANDARD SPECIFICATION

Door leaves

The doors can be manufactured as singles or pairs.

The door leaves are constructed from 1.5mm thick zintec steel sheets folded to form a 43mm thick panel with internal channel stiffeners to increase panel strength and rigidity. Each leaf is infilled with rockwool for increased insulation.

Internal steel reinforcing plates are fitted to receive the specified hardware.

An overlapping steel astragal is fitted on a pair to ensure positive sealing.

Frame

The frames are constructed from 2mm thick zintec steel and formed into a single rebate profile. Each door leaf is hung in its' frame in the factory to ensure correct alignment and tolerances etc. All frames are prepared for bolt fixing to the structure.

Hardware

Various items of hardware are available to suit clients' requirements but to maintain the fire rating of the assembly, our standard continuous hinges, ASSA latch and lever handles together with lever action flush bolts to the inactive leaf of a pair should be supplied as a minimum.

MAXIMUM SIZES

Single

1250mm wide x 2750mm high

Pair

2500mm wide x 2750mm high

FINISH

As standard, all doors/frames are factory primed for painting on site (by others) after installation.



OPTIONS

Locks

The standard latch can be replaced with an ASSA 3065 sash lock with cylinder outside and cylinder or thumb turn inside.

Closers

Arrow overhead hydraulic closers can be fitted with a leaf selector on pairs if both leaves are active.

Vision Panels

400mm square or 400mm diameter vision panels are available in 6mm thick Pyran or Firelite glass dependent on fire rating.

Finish

Doors and frames can be stove enamelled or polyester powder coated to a range of standard BS or RAL colours.

WEIGHT

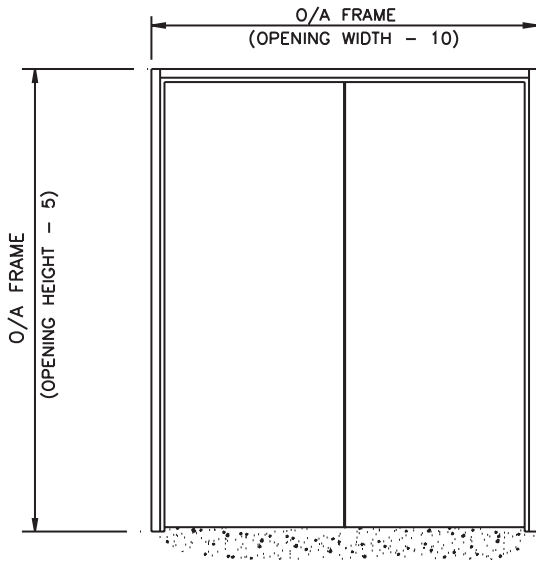
Single 75kgs. approximately.

Pair 130kgs. approximately.

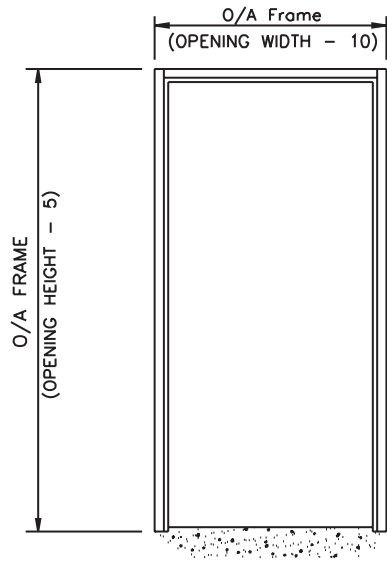
COMPOSITE

Fire Resisting Hinged Steel Doors

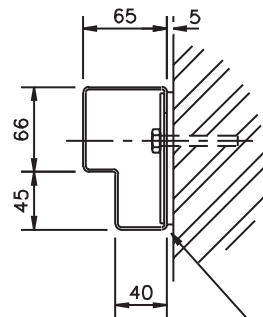
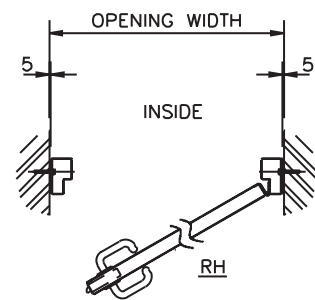
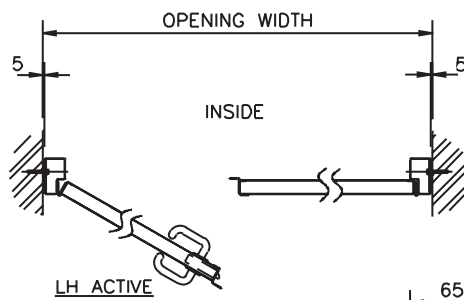
DOOR ARRANGEMENTS



PAIR OF DOORS



SINGLE DOOR



MASTIC BY OTHERS

FRAME DETAIL

NOTE! ALL HANDING VIEWED FROM PULL SIDE