

FIREROLL A0 CLASS

Electrically Operated Roller Shutters (Tubular Motor)

Bolton Gate's new range of Fireroll A0 shutters has been developed with failsafe closure and safety in mind whilst maintaining a high aesthetic appearance and offering a solution to all manner of openings in fire rated bulkheads. The shutters are manufactured in the UK in accordance with the Company's ISO 9001 Quality System.

All shutters have been successfully tested to the latest IMO Resolution A.754 (18) and are approved by most of the leading Marine Authorities including Lloyds, American Bureau of Shipping, US Coast Guard and Bureau Veritas. All designs hold MED approval and are labelled with the relevant wheelmark.

The range is available in a choice of high quality decorative finishes from standard galvanised to polished stainless steel (grade 304 or 316) and an extensive range of polyester powder coated colours from the RAL range.

Electrically operated shutters are ideally suited for use on a variety of openings where the opening size exceeds the maximum for manual shutters or where automatic operation is preferred by the client.

STANDARD SPECIFICATION

Operation

The shutter is electrically operated via a 230 volt single phase AC tubular motor mounted inside the roller and is operated from a high-level control panel mounted above the ceiling and an attractive stainless steel keyswitch at low level.

A pair of terminals is provided to accept a normally closed volt-free contact from the client's fire detection system.

When the mains supply is removed or the control panel receives a fire signal, the motor brake is released and the shutter closes under gravity with a controlled descent.

The standard system is pre-wired in our factory and merely requires plugging-in onboard.

If the supply voltage is less than 230 volt or the shutter is fitted over an escape route, a 24 volt DC motor is provided instead (with an emergency crank handle at both sides of the bulkhead in the case of the escape route).

Curtain

Shutter curtains are constructed from continuously interlocking flat section galvanised steel laths 51mm high x 0.9mm thick securely held in place by endlocks.



Bottom Rail

The bottom rail is formed from a reinforced lath to give uniformity of appearance. A stainless steel nameplate is fitted stating the relevant approval body and the door reference for traceability purposes.

Side Guides

The shutter curtain runs in vertical guides which are fabricated from cold rolled galvanised steel channels 52 x 25mm with continuous steel angles, which are pre punched to ensure fixing to the bulkhead at the correct centres.

Roller

The roller is made from seamless steel tube of adequate diameter and wall thickness to avoid deflection and its solid steel shaft is supported in bearings mounted on each endplate.

Endplates

Fabricated from steel plate and prepared to accept the hood. Securely bolted to steel angles which are drilled for attachment to the bulkhead at the correct centres.

Hood

Constructed from galvanised steel and attached to the structure by setscrews.

MAXIMUM SIZES

MED/BV: 4000mm wide x 2500mm high
USCG: 2724mm wide x 2290mm high

WEIGHT

Approximately 25kgs per m².

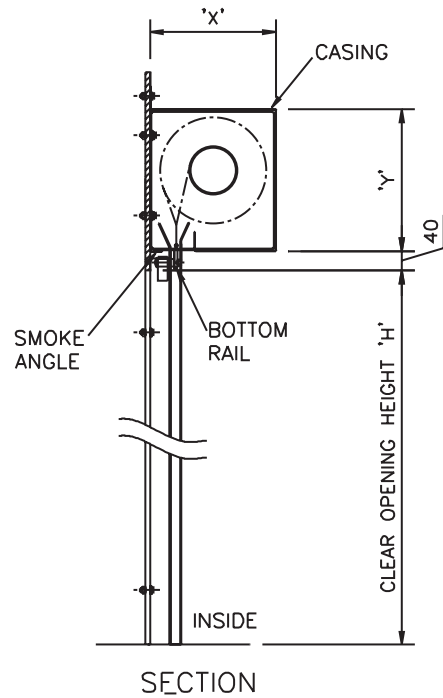
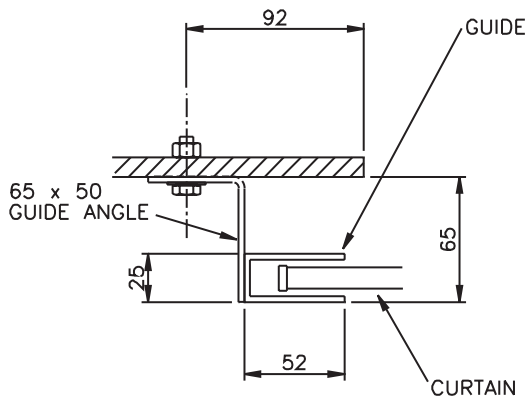
OPTIONS

- Polyester powder coated finish to a standard RAL colour.
- Grade 304 or 316 stainless steel construction.
- Proximity switch to signal fully closed status.

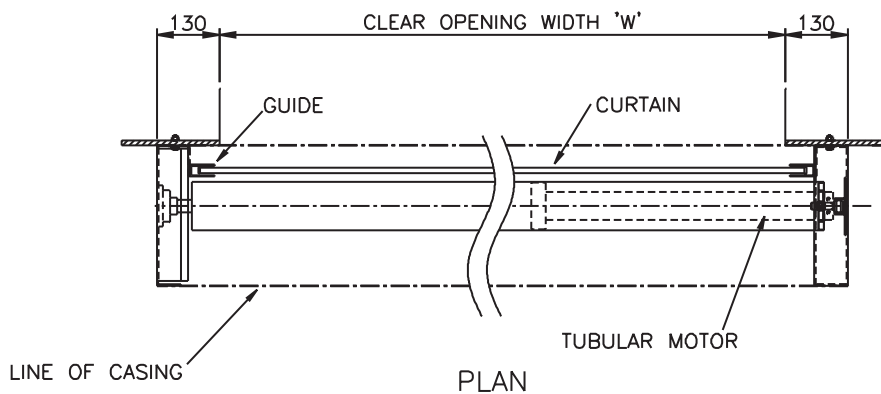
FIREROLL A0 CLASS

Electrically Operated Roller Shutters (Tubular Motor)

GUIDE DETAILS



CLEAR OPENING HEIGHT 'H'	'X'	'Y'
UP TO 2100	260	290
2101 TO 2500	330	360



ALL DIMENSIONS IN MILLIMETRES