

Bolton Gate Company's Superior sliding folding shutter door is appropriately named, being internationally accepted as the most robust shutter available.

The Bolton Superior is particularly suited for both heavily used and very large doorways.

Tested for wind resistance, the Bolton Superior is capable of withstanding the most onerous wind loading ratings including typhoon or hurricane conditions.

Available as a single door or in pairs with the latter reducing the bunch dimension and operating twice as fast.

Performance Characteristics:

- Resistance to Wind Load – Class 5 as standard
- Modified design capable of up to 3kPa

Applications Include:

From rapid acting fire, police and ambulance stations to shipyards and aircraft hangars and almost every large industrial application.



STANDARD SPECIFICATION

Operation

Bolton Superior doors are electrically operated as standard using a 400-volt nominal, 3-phase geared brake motor.

A constant pressure push button starter is provided for use adjacent to and in full view of the opening.

Gate Frame

Extra strength is gained from 25mm hot rolled channel pickets interconnected by 30 x 10mm solid steel lattice bars. The gate frame is top hung from free running ball bearing pulleys connected to the pickets with zinc plated bottom guide pieces fitted at the base to run in the bottom track.

Leading edge

The high security leading edge is fabricated from steel plate and channels into a rigid box section and is fitted with handles both sides.

Shutter leaves

Full height galvanised steel leaves at 305mm wide x 1.2mm or 1.5mm thick formed to a unique rigidised detail provide a continuously interlocking weather resistant installation completed by securely capped galvanised steel hinge strips.

Top Track

The 229mm deep fabricated top track incorporates two round edge runner rails ensuring smooth running of the pulleys. The motor gearbox, tensioner and adjustable limits are surface mounted for ease of access whilst the drive chain is totally enclosed to provide direct in-line transmission.

Bottom Track

Type B24 fabricated from double 51mm x 25mm hot rolled steel channels which finish flush with the floor.

Coverplate

A galvanised steel weather coverplate is bolted to the top track to act as a flashing over the shutter leaves.

End Panels

For doors face fixed behind and bunching clear of the opening a neat, weather resistant, vertical closure is provided using galvanised steel sheet end panels.

Shutter Arrangements

The doors can be supplied to fix externally, internally or between jambs and can bunch to one or both sides of the opening

MAXIMUM SIZES

- Singles: 20 metres wide x 15 metres high
- Pairs: 40 metres wide x 15 metres high

FINISH

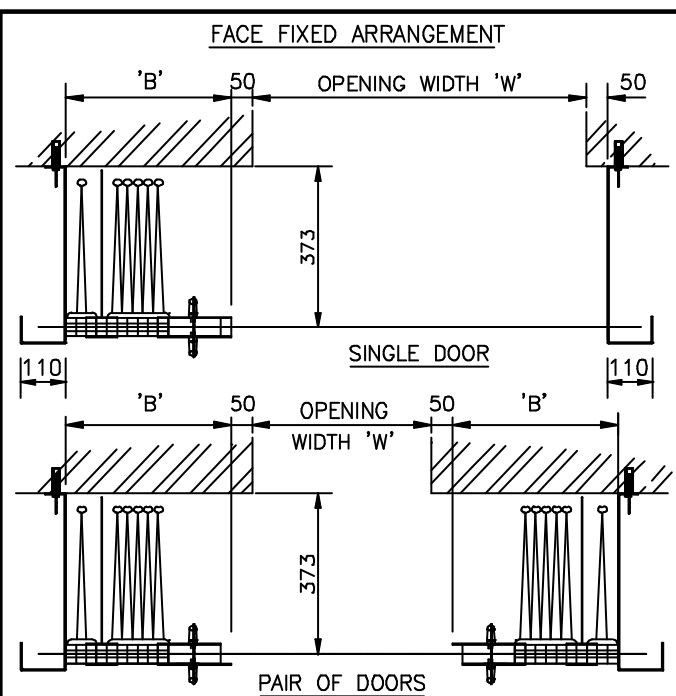
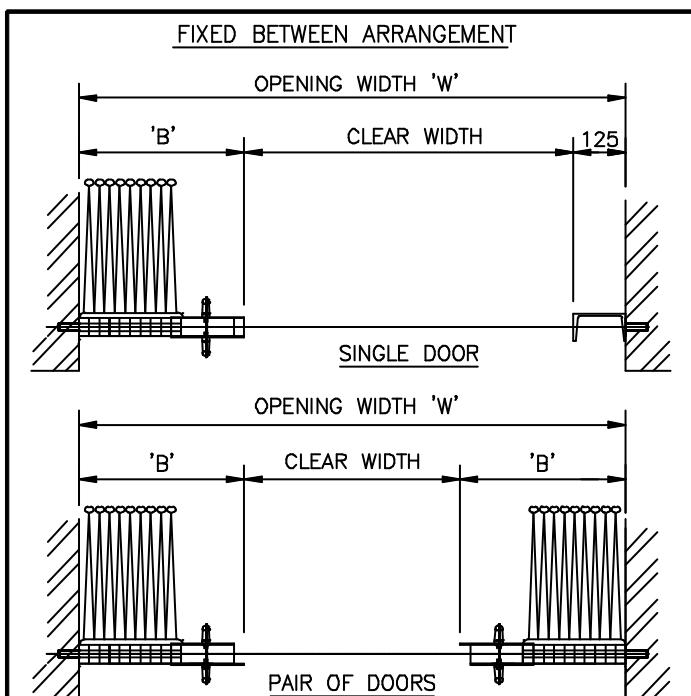
Mainly galvanised with ungalvanised parts being prime painted. The gate frame is powder coated.

WEIGHT

Approximately 50 kgs per m².

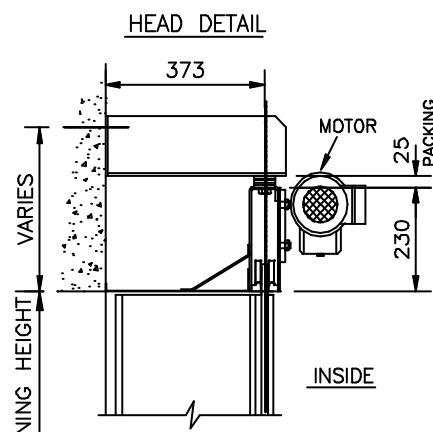
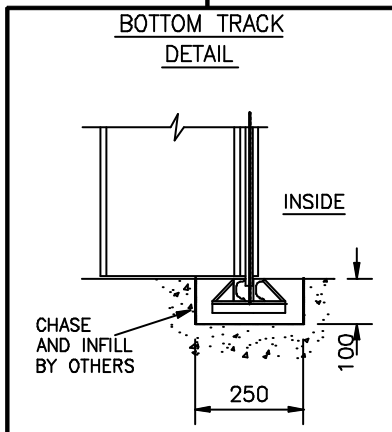
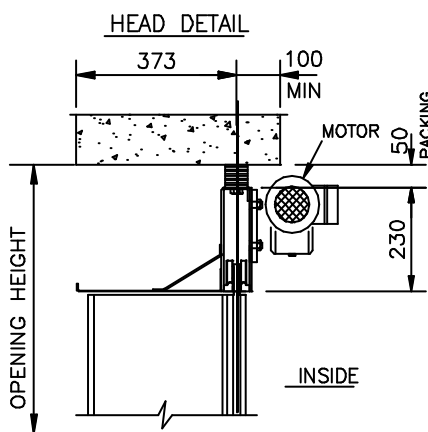
OPTIONS

- Polyester powder coated finish in a range of standard RAL colours.
- Frequency inverters for speed adjustment / soft start / stop.
- Vision panels.
- Safety edges / photocells.



SINGLE DOOR		PAIR OF DOORS	
OPENING WIDTH 'W'	BUNCH 'B'	OPENING WIDTH 'W'	BUNCH 'B' (EACH SIDE)
UP TO 4391	412	UP TO 8532	412
UP TO 4975	445	UP TO 9700	445
UP TO 5559	478	UP TO 10868	478
UP TO 6143	511	UP TO 12036	511
UP TO 6727	545	UP TO 13024	545
UP TO 7311	578	UP TO 14372	578
UP TO 7895	612	UP TO 15540	612
UP TO 8479	645	UP TO 16708	645
UP TO 9063	678	UP TO 17876	678
UP TO 9647	712	UP TO 19044	839
UP TO 10231	745	UP TO 20212	872
UP TO 10815	778	UP TO 21380	905
UP TO 11399	812	UP TO 22548	939
UP TO 11983	845	UP TO 23716	972
UP TO 12567	878	UP TO 24884	1005
UP TO 13151	912	UP TO 26052	1039

SINGLE DOOR		PAIR OF DOORS	
OPENING WIDTH 'W'	BUNCH 'B'	OPENING WIDTH 'W'	BUNCH 'B' (EACH SIDE)
UP TO 2973	428	UP TO 6046	428
UP TO 3557	461	UP TO 7214	461
UP TO 4141	495	UP TO 8382	495
UP TO 4725	562	UP TO 9550	562
UP TO 5309	595	UP TO 10718	595
UP TO 5893	628	UP TO 11886	628
UP TO 6477	662	UP TO 13054	662
UP TO 7061	695	UP TO 14222	695
UP TO 7645	728	UP TO 15390	728
UP TO 8229	762	UP TO 16558	762
UP TO 8813	795	UP TO 17726	795
UP TO 9397	829	UP TO 18894	829
UP TO 9981	862	UP TO 20062	862
UP TO 10565	895	UP TO 21230	895
UP TO 11149	928	UP TO 22398	928
UP TO 11733	961	UP TO 23566	961



ALL DIMENSIONS IN mm